

ESSENTIALU1/5

80cm cabinet, Undermount Sink



BLANCO



Model Code
ESSENTIALU1/5

Inclusions
· Mounting sink clips
· Designer wastes

Warranty
30 Year Warranty

Features

90 Years Experience of German Stainless Steel Know-How

18/10 Surgical Grade Stainless Steel

**Large 25L Main Bowl
18L Secondary Bowl**

Rear Positoned Waste

Full 30 year Blanco Warranty

Benefits

90 years of Stainless Steel know-how make Blanco one of the world leaders in sink manufacturing, which translates to superior products for your home

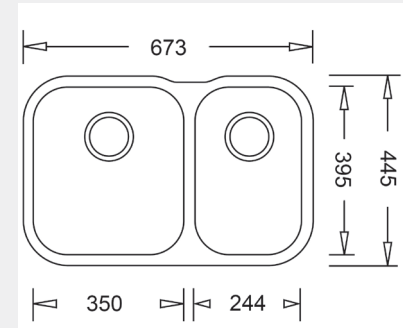
Using only the highest quality stainless steel – the perfect material for a hygienic way to prepare food.

Maximum bowl capacity easily accommodates large baking trays. Pots and utensils

Maximises usable bowl functionality and increases cabinet storage space under the sink.

Assurance of quality and Blanco support

Specifications



Material:	18/10 Stainless Steel - stainless steel brushed
Dimensions:	673 x 445mm
Bowl Depths:	205mm
Cut-out Size:	Template supplied with sink
Main Bowl Size:	350mm x 395mm 25L capacity
Secondary Bowl Size:	244mm x 395mm 18L capacity
Standard Inclusions:	Designer waste included Undermount clips included Template cut out

Optional Accessories

Plastic Cutting Board (BUCBW)
Plastic Drainer (MESDRAINING)
Stainless Steel Drainer (BDRAINSS)
Stainless Steel Crockery Basket (BUCRBSS)
Stainless Steel Colander (AXICOLSS)
Tap (BT637P)

NOTE: Measurements are within +/-2 - 3mm factory tolerance. It is advisable to check dimensions of physical product when measuring for installation and before doing any cut outs.

*Due to continual product development the information provided is not final and may be subject to change.