

# MCLSIF

## Stainless Steel 1 1/4 Bowl Sink With Drainer



**BLANCO**



**Model Code**  
MCLSIF

**Description**  
1 1/4 bowl inset/flushmount with drainer,

**Inclusions**  
Chrome pop up designer waste  
Integrated overflow in one bowl

**Warranty**  
30 year warranty



### Features

### Benefits

#### Engineered in Germany

Over 85 years of Stainless Steel know-how make Blanco one of the world leaders in sink manufacturing, which translates to superior products for your home.

#### Reversible installation available

To suit your kitchen and personal preference

#### 18/10 Surgical Grade Stainless Steel

Engineered from 0.8 mm thick stainless steel and finished with Blanco's satin polish, this sink is an ultimate food preparation area.

#### Inset flushmount installation

This elegant IF flat rim not only has an appealing flush fit but it makes it much easier to clean around the sink.

#### Large 25L capacity main bowl

Accommodates the largest of baking trays, woks and other bulky kitchen utensils.

#### All in one: 1 1/4 bowl and drainer tray sink

Ideal for kitchens with limited space

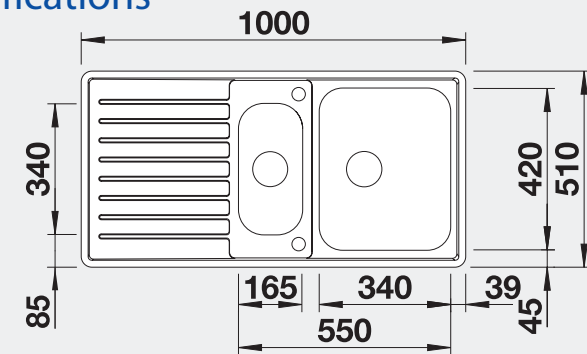
#### Designer pop up waste

Allows hands free drainage of the main bowl

#### Integrated overflow – Plumbing kit supplied

No overflowing of the main bowl, prevents damage to the kitchen.

### Specifications



Method of Installation:	Inset/Flushmount
Cabinet Size:	60cm
Overall Dimensions:	1000w x 510d x 170/130h mm
Inset Cut-out::	979w x 489d mm (refer to CAD drawing on the website for corner radii)
Inset Flushmount Cut Out:	1002w x 512d mm (refer to CAD drawing on the website for corner radii)
Main Bowl Capacity:	25 Litres
Secondary Bowl Capacity:	7 Litres
Standard Inclusions:	Designer pop-up waste and integrated overflow
Tap Hole Supplied:	Yes
Pop-up waste hole supplied:	Yes
Optional Accessories:	MCLSGCB, MCLSCOLSS, BDRAINP, BUCRBSS, CAPFLOW
Warranty:	30 years

Note: Measurements are within 2-3mm of factory tolerance. It is advisable to check dimensions of physical product when measuring for installations and before doing any cut outs.

\*Due to continual product development the information provided is not final and may be subject to change