

Stainless Steel Free Standing or Built Under Dishwasher



Model: DW6030

- BLDC motor with 5 year warranty
- Multi tilt and split third row cutlery tray
- Sensor touch controls in finger print resistant stainless steel
- ITT Information Transfer Technology
- Self cleaning filter system
- LED interior lighting
- 8 wash programs with 24 optional variations
- Residual hot air drying with extra hot rinse cycle
- *Whisper* quiet 45dBa
- Up to 24 hour delayed start on hourly intervals
- Three option spray pattern, top bottom or both
- Space saving sliding detergent dispenser
- 70°C sanitation cycle
- 15 minute super rinse and 30 minute fast wash
- Easy lift top basket for large platters
- Anti-overflow protection
- Height adjustable cabinet
- Energy rating 4 stars
- 15 place settings
- WELS water rating 5 stars
- 11.8 Litres per wash
- In accordance with AS/NZS 6400



5 year warranty



Internal LED light



15 place settings



Whisper Quiet



Third row cutlery tray



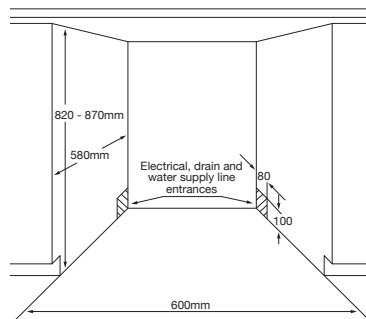
Delayed start



Information Transfer Technology



QUALITY ASSURED



J10703_16