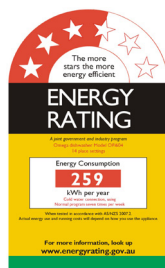


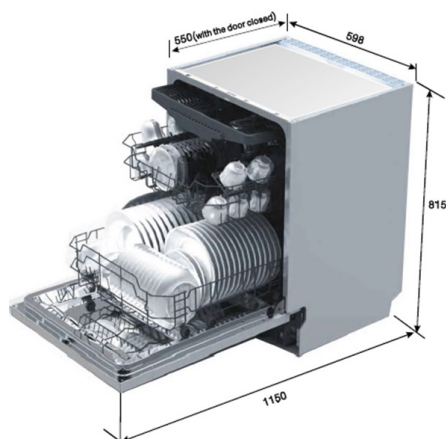
Omega Dishwashers

OFI604

Omega 60cm fully integrated dishwasher with 14 place settings, electronic controls and 6 wash programs.



DECORATIVE DOOR NOT INCLUDED. DESIGNED TO ACCOMMODATE YOUR OWN CABINETRY.



Dimensions/weight

Overall dimensions (mm): 815h x 598w x 550d
Weight: 43kg

Technical details

Installation type: Fully integrated built in
Place settings: 14
Wash programs: Intensive, Heavy, Normal, Glass, 60 min, Quick
Water rating: 4.5 stars
Energy rating: 3.5 stars
Wash temperatures (°C): 4 - 40, 50, 55 and 65
Maximum water temperature (°C): 60°C
Floating plug: Yes
Lockable controls: No
Delayed start: Yes (3, 6 and 9 hours)
DualZone: No
AquaStop safety hose: No

Flexible top basket: Yes
Panel size: 589mm(w) x 720mm(h) maximum
Half load: Yes
Cutlery tray: Yes
Plate sizes allowed: Up to 30cm
Residual heat drying: Yes
Maximum current: 10amps
Connection: 240V, 50Hz
Water connection: Cold water recommended
Length of hose: 2.0m
Water pressure: 40 - 1000kpa
Noise: 49dBA
Warranty: 24 months parts and labour

Aesthetics

Finish: Supplied without a decorative door
Controls: Electronic controls concealed in the top of the door.



HALF LOAD



CUTLERY TRAY



FLEXI-BASKET

Key features	Benefits
Flexible top basket	Click the side levers of your top basket to lower it to accommodate tall glasses, or raise to the higher position for maximum room in the bottom section.
Cutlery tray	Positioned above the top basket, this tray eliminates streaks through superior drainage and leaves more room in the dishwasher for plates, pots and pans.
Half load	The half load function will use less water and energy while effectively cleaning your half load.

NB: Drawings are not to scale - they are to assist only. WARNING: technical specifications and product sizes can be varied by the manufacturer without notice. Cut-outs for appliances should only be by physical product measurements. The above information is indicative only.