

Omega 60cm 4 burner gas cooktop with cast iron trivets, electronic ignition and stainless steel finish.



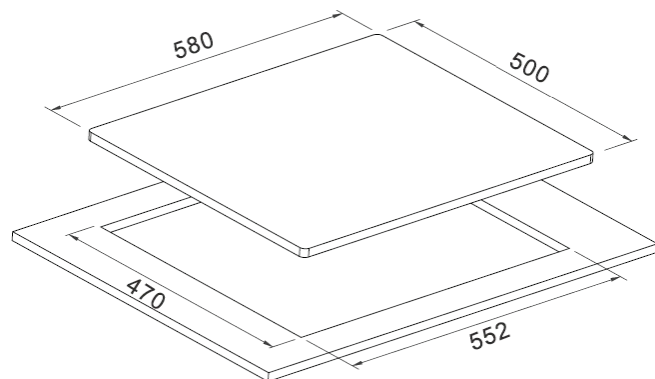
### Technical details

Type of cooktop:	Gas
Ignition:	Electronic
Burners:	4
Gas type (natural/ULPG):	Natural/ULPG
ULPG adaptable:	Yes
Flame failure device:	Yes
Wok burner:	Yes
Fish burner:	No
Total power rating:	29.5 mj/hr over four burners
Power:	Front right: 4.5 mj/hr Front left: 13 mj/hr Rear right: 6 mj/hr Rear Left: 6 mj/hr
Maximum current:	10 amps
Connection:	220-240v ~ 50-60Hz
Installation:	Flex and plug
Warranty:	24 months parts and labour

### Aesthetics

Finish:	Stainless steel
Type of controls:	Knob
Number of knob controls:	4
Location of controls:	Front right
Material of trivets:	Cast iron trivets and burner caps

\* Gas connection point is located rear left



### Dimensions/weight

Overall dimensions (mm):	90h x 580w x 500d
Cut-out dimensions (mm):	552w x 470d



FLAME FAILURE



CAST IRON TRIVETS



WOK BURNER

Key features	Benefits
<b>Flame Failure</b>	A flame failure device ensures gas cannot flow from the cooktop when no flame is present. No flame = no gas flow = a safer home.
<b>Cast iron trivets</b>	Cast iron trivets are heavier and more durable than typical enamel coated trivets. This results in a more stable cooking surface and less chance of damage to the cooktop.
<b>Wok Burner</b>	Wok burners provide high heat that is needed for effective wok cooking. Not only is it suitable for Asian cuisines it is also a powerful gas burner perfect for accelerating the cooking process.

NB: Drawings are not to scale - they are to assist only. WARNING: technical specifications and product sizes can be varied by the manufacturer without notice. Cut-outs for appliances should only be by physical product measurements. The above information is indicative only.