
INSTALLATION INSTRUCTIONS

RECESS BOX (PN 299427) – FOR USE WITH CFGWH 874, 876 SERIES 8 & T 12-26 MODELS

This instruction details the installation of the recess box suitable for the Rheem Electronic Continuous Flow Gas water heater models noted below (refer to the rating plate for model number).

874 Series 812, T16, 820, T26, 826 Models

876 Series 812, T16, 820, T26 Models

The water heater must be located such that the installation meets the requirements of either AS 5601 or AS/NZS 5601.1 as applicable under local regulations. There must be sufficient ventilation so the water heater has an adequate supply of combustion air and the flue products are dispersed safely. It is the licensed installer's responsibility to ensure the installation complies with the relevant sections of the prevailing Gas installations Standard.

Kit Contents and Component Description	Qty
Recess Box body	1
Recess Box front cover	1
Recess Box security bracket	1
Installation instructions – Recess Box	1

Note: Refer to page 2 for the procedure to install the Recess Box and to page 3 for the procedure to install the water heater.

INSTALLATION WITHIN A COVERED AREA

Installation of the water heater in this Recess Box is permitted within a covered area open on at least two sides, if the water heater's flue terminal is located to ensure a free flow of air across it is achieved.

AS/NZS 5601.1 also allows the installation of a continuous flow gas water heater within a covered area open on one side only if the flue terminal is within 500 mm of the opening, is discharging in the direction of the opening, there are no openings into the building along the wall within the 500 mm distance and the terminal is located to ensure a free flow of air across it is achieved.

The Rheem 874 or 876 series 812NF, T16NF, 826NF or T26NF model fitted with a Rheem Flue Terminal Diverter (kit number 299287) in accordance with its installation instructions, can be installed to meet this requirement.

A Rheem 874 or 876 series 812NF, T16NF, 826NF or T26NF model (AU only) fitted with a Rheem Flue Terminal Diverter (kit number 299287), or a Rheem 874 or 876 series 826NF or T26NF model (AU only) fitted with a Rheem Extended Flue Terminal Diverter (kit number 299285), can also be installed on a side wall within a covered area (open on one side only) and meet the installation requirements of AS 5601 and AS/NZS 5601.1, if positioned so that the outlet of the Flue Terminal Diverter is level with or beyond the outer edge of the side wall of the covered area.

Refer to the installation instructions supplied with the water heater and the Flue Terminal Diverter Kit.

This recess box must be installed by a qualified person.



RHEEM AUSTRALIA PTY LTD, A.B.N. 21 098 823 511 – for Service Telephone 131 031 AUSTRALIA

RECESS BOX INSTALLATION

1. Install the Recess Box in the wall.

New Masonry Wall

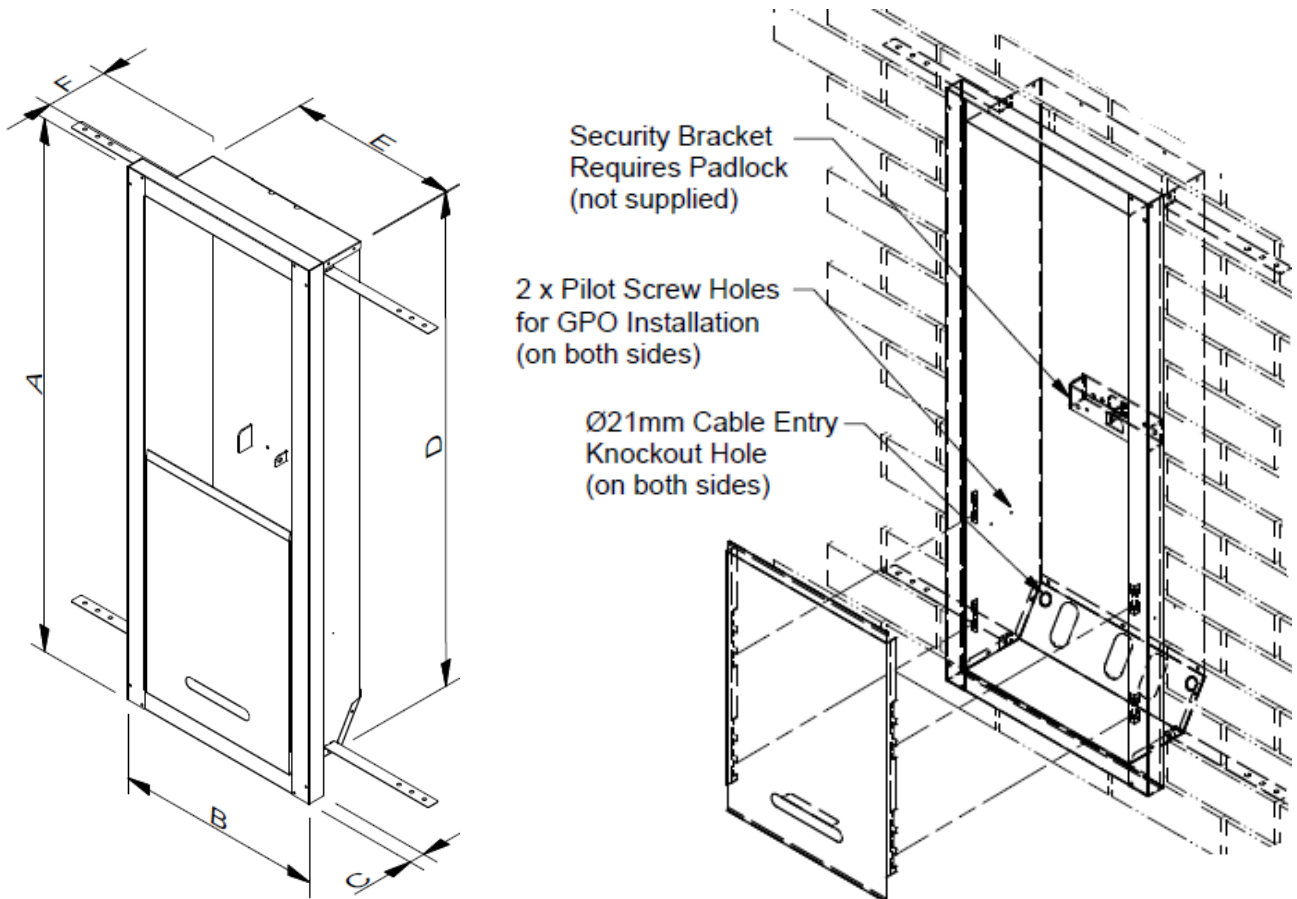
The Recess Box can be installed in a new wall as the masonry is being laid.

- Fold out the four masonry securing tabs to a horizontal position.
- Position the Recess Box into the opening in the masonry work.
- Place the securing tabs into the wet mortar joints of the masonry work as the masonry is being laid.

Existing Wall

The Recess Box can be installed in an existing wall.

- Prepare an opening in the wall with a height of dimension "D" + 2mm and width of dimension "E" + 2 mm.
- Position the recess box into the wall cavity.
- Drill holes through both sides of the Recess Box at the desired fixing points (it is recommended the fixing points are located below the Continuous Flow water heater's installed position).
- Secure the recess box to the wall structure using suitable anchors.



Fascia			Cavity		
Height	Width	Depth	Height	Width	Depth
A	B	C	D	E	F
1088	428	35	1010	349	128

PIPE HOLE LOCATION

INSTALLING THE WATER HEATER

2. Install the gas, cold water supply and hot water flow pipes through the pipe entry slots at the bottom of the Recess Box.

⚠ Warning: The pipe penetrations in the base of the Recess Box must be sealed to prevent the seepage of gas or water into the wall cavity in the event of a leak.

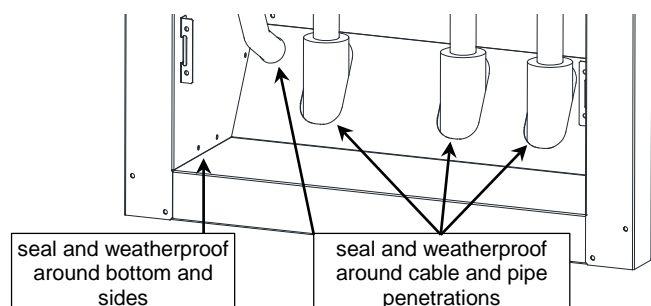
- It is recommended to encase the water and gas pipes where they penetrate through the pipe entry slots in the Recess Box. This will assist in sealing the pipe penetrations (refer to Step 8). A 13 mm closed cell type insulation or equivalent would suit this purpose.
3. There is information on the rating label located on the side of the water heater, which may be required for future warranty and service requirements, and will be hidden when the installation is complete.
 - Move the rating label to or indelibly copy the information on it including the water heater serial number, manufacture date and model number from the label onto the front panel of the water heater or to another position which is visible when the water heater is installed so the householder or responsible officer can access the water heater details when required.

An additional rating label is supplied attached to the inside of the front cover of the water heater. This is for a service person to access the water heater details when required.

4. Mount the water heater in the Recess Box.
 - Place the top bracket of the water heater through the slot between the top plate and rear wall of the Recess Box and slide the water heater upwards.
 - Position the bottom bracket of the water heater over the centre tongue protruding from the rear wall toward the bottom of the Recess Box.
5. The Recess Box includes a theft-resistant bracket, supplied loose in the box. The slot in the water heater's bottom bracket fits over the centre tongue of the fixed bracket (described at step 4).
 - Fit the removable security bracket over the fixed bracket, lining up the hole in the centre tongues.
 - A padlock (not supplied) can be placed through the centre tongues to prevent theft.
6. A weatherproof general power outlet (GPO) can be fitted outside or inside of the Recess Box.
 - If the GPO is fitted outside of the Recess Box, the power lead from the water heater can be brought through the space above the front access panel to the GPO.
 - If the GPO is fitted inside of the Recess Box, it also must be weatherproof. There are two (2) 2.5 mm \varnothing pilot screw holes provided on each side panel for fitting the GPO. There are also two (2) 21 mm \varnothing knock-outs in the base of the Recess Box to facilitate cable entry to the GPO.

⚠ Warning: The cable penetration in the base of the Recess Box must be sealed to prevent the seepage of gas or water into the wall cavity in the event of a leak.

7. Connect the gas, cold water and hot water pipes to the water heater. Refer to the Owners Guide and Installation Instructions provided with the water heater for further installation details and information.
8. Seal and weatherproof the bottom of the Recess Box using silicone or similar waterproof sealant. This includes around pipe and cable penetrations where they enter through the base of the Recess Box and along internal joints between the sides and base.



Step 8 – seal bottom of Recess Box

9. Replace the access panel onto the Recess box.

This page is intentionally blank.