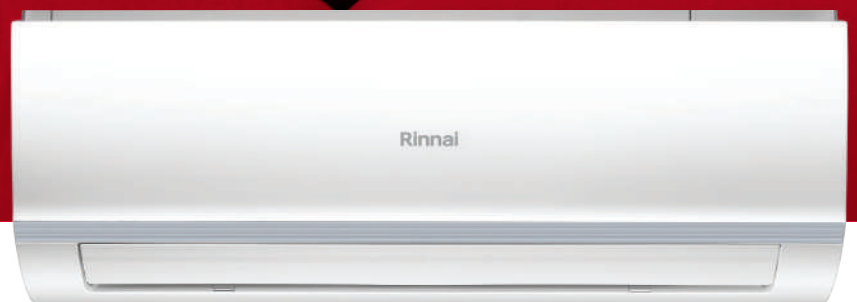


Rinnai



D Series

Inverter Split System



Rinnai D Series

Designed for Australia's ever-changing climate, the Rinnai D Series Inverter Split System provides both cooling and heating all year round no matter where you live.

Packed with innovative features including Wi-Fi connectivity, self-cleaning function and sleep mode, the D Series is the ultimate in providing complete comfort. This smart system can also work around your unique lifestyle with an ultra-practical timer function, allowing you to set the unit's operation times to achieve the perfect room temperature.

Encased in a sleek contemporary design, the Rinnai D Series are durable, convenient and easy to maintain.





At Rinnai, we're all about comfort

For over 50 years, Rinnai has supplied Australian homes with a range of appliances that help people lead comfortable, safe and efficient lifestyles.

Being driven to create comfort means that we really care about our products and your experience from start to finish. We're focused on developing products with the latest technology and our level of quality is second-to-none, so you can rest assured knowing Rinnai will deliver.

Innovation and Design

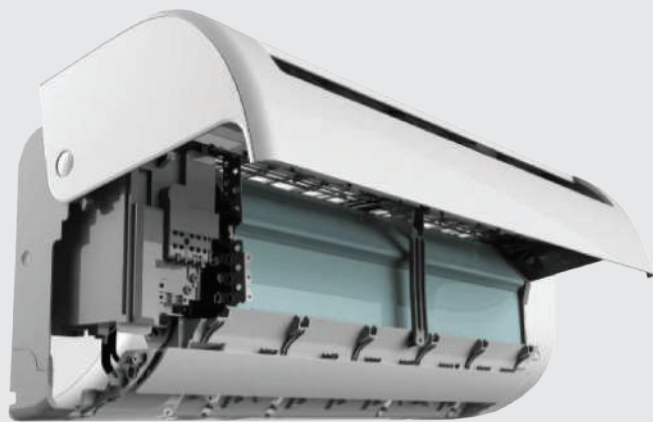
Seamless Installation

The D Series features the latest in innovation. The design of the indoor header unit has been improved in order to enable a simpler installation.

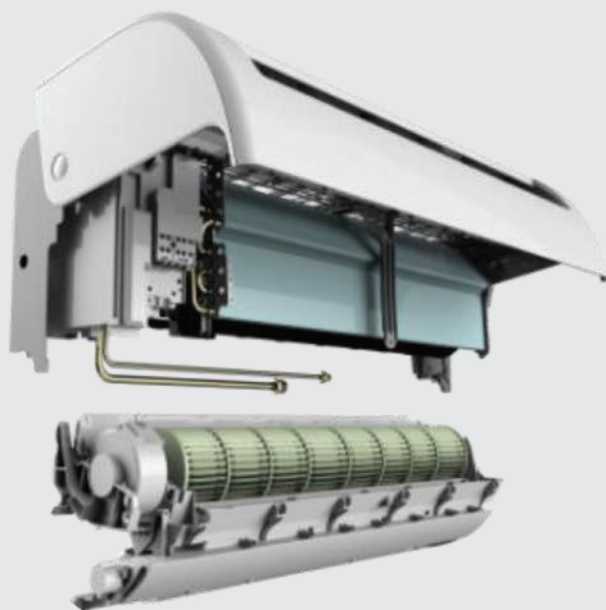
The entire front panel and frame are rotatable creating easy access to the wiring terminal block for a simple connection. The wall bracket includes an installation support leg, creating more space for an easier connection of pipes.

Simple Maintenance

The D Series design innovation extends to elements of maintenance as well. Featuring a unique, slide out chassis design, the indoor unit allows for convenient access and the opportunity to save time during maintenance.



Rotatable front panel and frame



Quick access fan

Features and Benefits



Wi-Fi Control

Set your favourite temperature from anywhere, with our intuitive Android or Apple App. Come home to ultimate comfort.



Inverter Technology

To maintain consistent temperature and reduce running costs in comparison to conventional Air Conditioners.



Quiet Operation

Designed to keep noise levels to a minimum without affecting performance, thanks to a cleverly designed air tunnel optimised to deliver better air distribution.



3D Airflow

Air blades can be controlled to swing both horizontally and vertically, allowing for balanced room temperature and comfort.



Heating & Cooling

All year round comfort, with full temperature control suited to your needs.



Turbo Function

Quickly cool in summer or swiftly warm in winter.



Dehumidifying Mode

Efficiently manages room humidity levels to ensure optimum comfort levels during humid summer days.



Timer

A delay ON or OFF timer allows you to select a period of time (from 30 minutes to 24 hours), the unit will turn either on or off depending on its current status.



Sleep Mode

The D Series intelligent sleep mode operates on a two-way temperature control that modulates up and down to mimic outside ambient temperatures, ensuring a comfortable sleep.



Demand Control

Equipped with demand response capability (DRED) to help reduce overall power consumption at critical peak load times.**

*For full terms & conditions visit www.rinnai.com.au

**Subject to availability from your energy provider.

Comfort at the touch of a button

Wi-Fi Control

The Rinnai D Series features Wi-Fi control via an App.

Simple to activate and easy to use, the App can be downloaded via Google Play or the App Store on a compatible mobile device.

Once installed and registered, you can operate your appliance on the go.

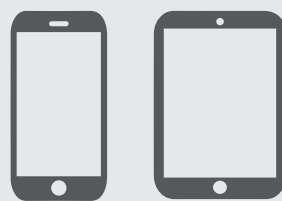
Basic functions like on/off, temperature control and fan speed can be accessed through the App. Best of all, the Wi-Fi control allows you to switch on your Air Conditioner from outside the home – creating the ultimate in convenience and comfort.

We're at your service

The National Customer Care Centre provides first class service and maintenance of your system, ensuring it's running at its highest efficiency - so you can enjoy the Rinnai experience for many years to come.

Operating 5 days a week
(Monday to Friday)

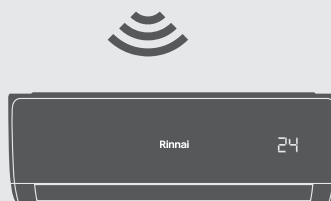
13 43 73



Turn your Air Conditioner on or off, set your temperature, fan speed and more remotely from anywhere in the world with an Internet connection.



Your home's Internet router relays requests from the App to control your Air Conditioner just like the normal remote controller.



Set your favourite temperature before you come home - enjoy the comfort and energy savings.



Available to download via:

- Google Play
- App Store

Technical Information

Rinnai - System Model No.		HSNRA26	HSNRA35	HSNRA50	HSNRA70	HSNRA80	
Nominal Capacity	kW	2.6	3.5	5.0	7.0	8.0	
Power Supply (To Outdoor Unit)	V - Ph - Hz	220-240 - 1 - 50					
Maximum Input Current	A	6.5	6.5	8.5	13.5	13.5	
Maximum Input Power	W	1500	1500	1960	3105	3105	
Connectivity	-	Wi-Fi Enabled					
Demand Response Enabling Device	-	DRED Enabled					
Cooling	Rated Capacity	kW	2.61	3.50	4.94	6.94	7.83
	Capacity Range		1.04 - 3.38	1.40 - 4.50	2.00 - 6.00	3.50 - 7.70	4.00 - 8.80
	Rated Input Power	W	593	858	1322	1980	2301
	Rated Input Current	A	2.75	3.94	5.91	8.77	10.16
	AEER	W/W	4.37	4.06	3.73	3.50	3.39
	Star Rating	-	4.0	3.5	2.5	2.5	2.0
Heating	Rated Capacity	kW	2.78	3.68	5.03	7.50	7.99
	Capacity Range		1.15 - 3.65	1.50 - 5.00	2.00 - 6.15	3.00 - 8.25	3.24 - 8.91
	Rated Input Power	W	625	844	1317	2062	2366
	Rated Input Current	A	2.79	3.74	5.89	9.12	10.44
	ACOP	W/W	4.43	4.34	3.81	3.63	3.37
	Star Rating	-	4.0	4.0	3.0	2.5	2.0
Moisture Removal	L/h	1.0	1.2	1.8	2.4	3.0	
Suitable Area (up to 2.6m insulated ceiling)	m ²	14 - 23	18 - 31	26 - 44	37 - 62	41 - 69	

Indoor Unit		HINRA26M	HINRA35M	HINRA50M	HINRA70M	HINRA80	
Air Flow (Turbo / Hi / Med / Lo / Silent)	L/s	167 / 162 / 134 / 106 / 78	195 / 181 / 159 / 117 / 98	334 / 306 / 237 / 212 / 159	403 / 387 / 356 / 242 / 145	403 / 387 / 356 / 242 / 209	
Sound Pressure @ 1.4m (Turbo / Hi / Med / Lo / Silent)	dB(A)	43 / 42 / 37 / 32 / 28	45 / 43 / 38 / 31 / 28	45 / 44 / 42 / 37 / 29	49 / 47 / 44 / 36 / 32	49 / 47 / 44 / 38 / 34	
Dimensions	Dimension (W x D x H)	mm	805 x 193 x 302	964 x 222 x 325	964 x 222 x 325	1106 x 232 x 342	1106 x 232 x 342
	Packing (W x D x H)		875 x 285 x 375	1045 x 305 x 405	1045 x 305 x 405	1195 x 315 x 420	1195 x 315 x 420
	Net / Gross Weight	kg	8.5 / 11.0	10.3 / 14.0	10.4 / 14.1	13.7 / 17.6	13.6 / 17.5
Operating Range	Cooling	°C	17 - 32				
	Heating		0 - 30				
Standard Controller	Model	Wireless Remote Control					

Outdoor Unit		HONRA26	HONRA35	HONRA50	HONRA70	HONRA80	
Sound Power Level		60	60	63	64	70	
Sound Pressure Level @ 1m	dB(A)	53	55	57	57	60	
Dimensions	Dimension (W x D x H)	mm	800 x 333 x 554	800 x 333 x 554	845 x 363 x 702	946 x 410 x 810	946 x 410 x 810
	Packing (W x D x H)		920 x 390 x 615	920 x 390 x 615	965 x 395 x 755	1090 x 500 x 865	1090 x 500 x 865
	Net / Gross Weight	kg	33.2 / 36.1	32.1 / 35.0	40.5 / 43.7	59.2 / 65.0	62.7 / 68.5
Refrigerant	Type	R410A					
Refrigerant Piping	Pipe Size: Liquid / Gas	mm	φ 6.35 / φ 9.52	φ 6.35 / φ 12.7	φ 6.35 / φ 12.7	φ 9.52 / φ 15.9	φ 9.52 / φ 15.9
	Maximum Pipe Length	m	25	25	30	50	50
	Chargeless Length		5	5	5	5	5
	Extra Charge for Lengths >5m	g/m	15	15	15	30	30
	Maximum Vertical Separation	m	10	10	20	25	25
Ambient Temperature Limits	Cooling	°C	-15 - 50				
	Heating		-15 - 30				

Capacities tested in accordance with AS/NZS 3823.3. With our policy of continuous improvement, we reserve the right to change, or discontinue at any time, specifications or designs without notice.

Note: All images contained within this brochure are for illustrative purposes only, the colours and finishes of the products featured are as close to the respective product range as photographic lighting and printing processes allow.

Rinnai Australia Pty Ltd

ABN 74 005 138 769

100 Atlantic Drive,
Keysborough, Victoria 3173

For further information
call 1300 555 545 or visit
rinnai.com.au

TOTAL HOME COMFORT



HOT WATER



HEATING



COOLING

Rinnai