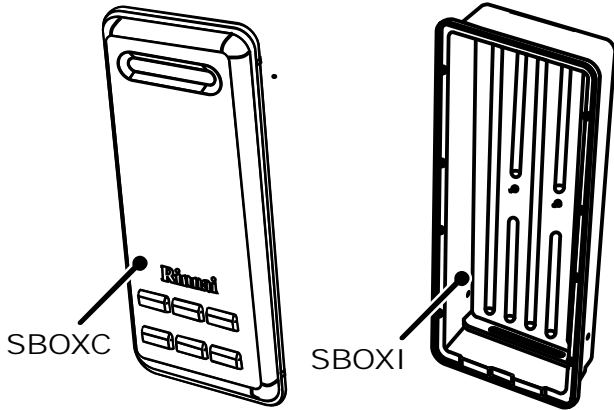
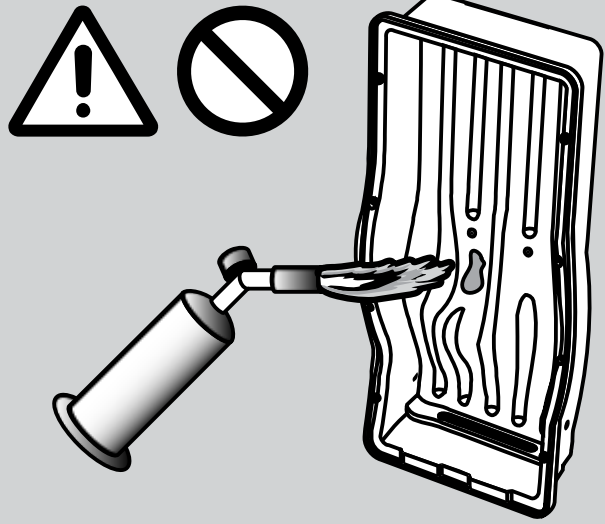


The Smartbox® recess enclosure system is made up of two (2) components these are the SBOXI (insert) and SBOXC (cover). Both items are packaged and purchased separately.



If you DO NOT have a SBOXC (cover) for your Smartbox contact your supplier.

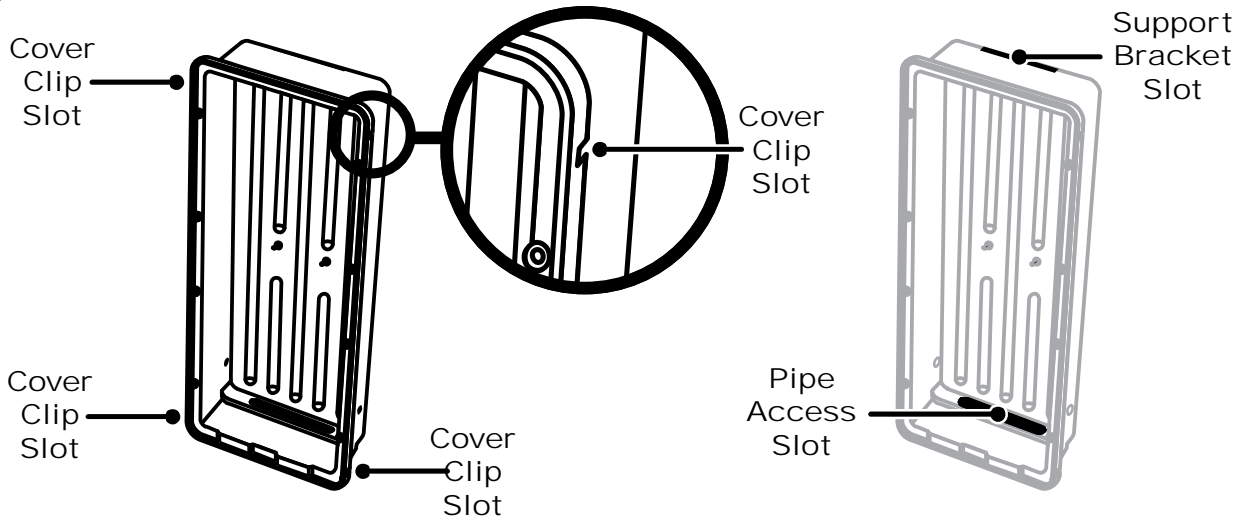


Take care to AVOID exposing Smartbox components to ANY EXCESSIVE HEAT when welding pipes.



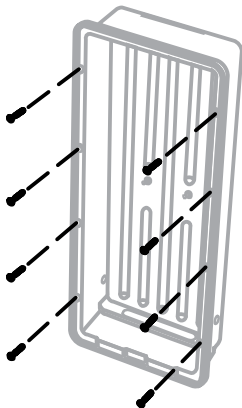
## DO NOT

Obstruct the slots provided for the Cover Clips, Support Bracket or Pipe Access



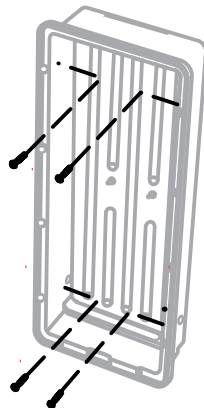
RA TSD 04-114 Issue 2 29/01/2010

Securing Method **(A)**



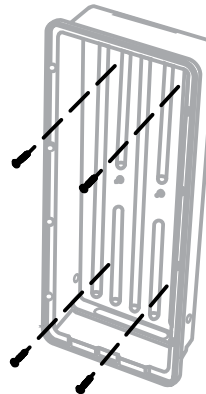
Securing the Smartbox Insert externally

Securing Method **(B)**



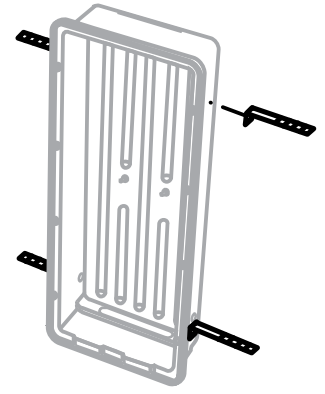
Securing the Smart Box Insert internally through the side wall

Securing Method **(C)**



Securing the Smart Box Insert internally through the rear wall

Securing Method **(D)**



Securing the Smart Box Insert with the use of brick ties

REFER TO THE FOLLOWING INSTALLATION INSTRUCTIONS FOR FULL INSTALLATION DETAILS

## Smartbox® Recess Enclosure, SBOXI - SBOXC Installation Instructions

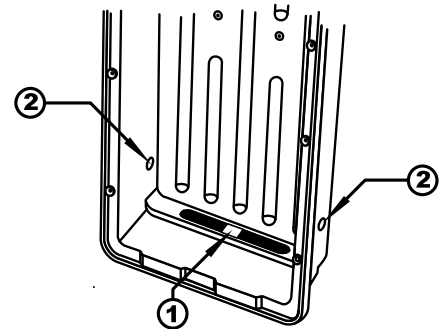
To suit the following Rinnai water heater models:		
REU-V2626WG	–	INFINITY 26
REU-VM2630WD	–	INFINITY 26 Plus
REU-VM2630WC	–	HD 200e
REU-V2024WG	–	INFINITY 20
REU-V1620WG	–	INFINITY 16
REU-V2426WB	–	V1500
REU-V1620WB	–	V1200

### Smartbox® RECESS ENCLOSURE COMPONENTS

SBOXI (insert) and SBOXC (cover) packaged and purchased separately.

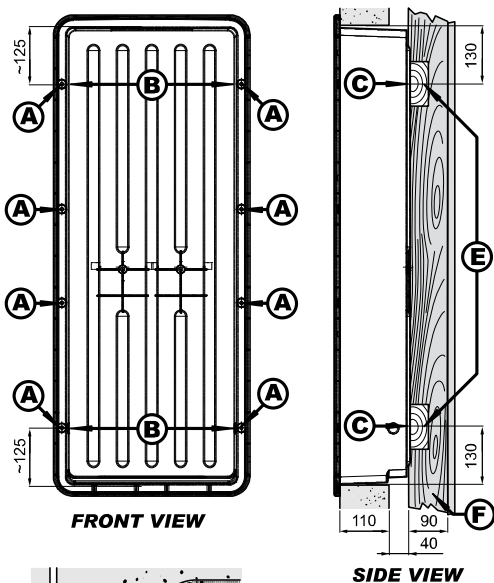
### GENERAL PREPERATION

1. Prepare an opening in the wall approximately 1 metre above the ground. The opening requirements are Height 1030mm, Width 390mm and a minimum Depth of 160mm (see dimension diagrams page 2). Ensure the location complies with the requirements of AS 5601 Fig. 5.3.
2. Remove the transport tab ① from the pipe entry point of the insert.
3. Determine the appropriate electrical access point and remove either the left or right the knock out plug ② located near the bottom of the side walls of the insert.



### SECURING OPTIONS

The Smartbox insert is designed to be surface mounted and may be secured using one of the following methods:



#### Ⓐ Securing the Smartbox Insert externally

Secure to the wall surface via the 8 screw holes provided in the flange of the insert using suitable fasteners.

#### Ⓑ Securing the Smartbox Insert internally, through the side wall

Secure the insert into a solid fixture such as brickwork, timber studs etc, through the side walls using suitable fasteners.



**The excess space between the side walls of the insert and the solid fixture may require packing to prevent distortion of the insert.**

At least two fasteners should be used through each side wall approximately 125 mm from the inside top and bottom horizontal faces of the insert

#### Ⓒ Securing the Smartbox Insert internally, through the rear wall

Install two noggins ⑤ between wall studs ⑥, these are to be centred at 130 mm from the top and bottom of the opening. Secure the insert into the noggins ⑤ through the rear wall using suitable fasteners.

#### Ⓓ Securing the Smartbox Insert with the use of a brick tie

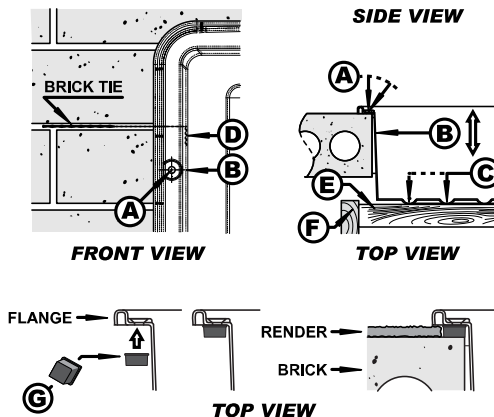
Secure a brick tie to the side walls of the insert with pop-rivets or screws. As the brickwork is being laid use the attached brick ties to secure the insert into the brick courses. Use two brick ties per side, one near the top and bottom of the insert.

#### Ⓔ Installing the Smartbox to rendered surfaces

Use spacers ⑩ (not provided) to install the Smartbox insert, with sufficient clearance for rendering.



**When the render is applied ensure that the gap provided by the stand-off spacers is NOT exceeded as this will prevent the Smartbox cover from being fitted!**



### ASSEMBLY AND APPLIANCE INSTALLATION



**THE SMARTBOX COVER AND INSERT ARE CONSTRUCTED FROM DURABLE ABS PLASTIC. NEVERTHELESS, TAKE CARE WHEN WELDING ANY PLUMBING CONNECTIONS TO ENSURE NO SMARTBOX PARTS ARE SUBJECTED TO A NAKED FLAME OR EXCESSIVE HEAT.**

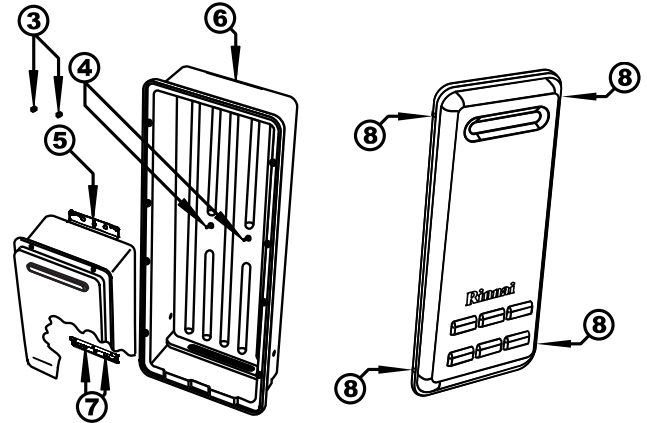
**THE SMARTBOX IS NOT SUITABLE FOR INSTALLATION INTO WALLS WHICH ARE REQUIRED TO BE 'FIRE RESISTING' AS DEFINED IN THE BUILDING CODE OF AUSTRALIA (BCA) UNLESS ALTERNATIVE PROVISIONS ARE MADE TO ACHIEVE THE REQUIRED FIRE RESISTANCE LEVEL (FRL). REFER TO THE BCA FOR MORE INFORMATION.**

4. The gas, cold water inlet and hot water outlet pipes can be brought through the pipe entry point at the base of the insert. The pipe entry point is elevated to prevent water ingress. This can be sealed if required.

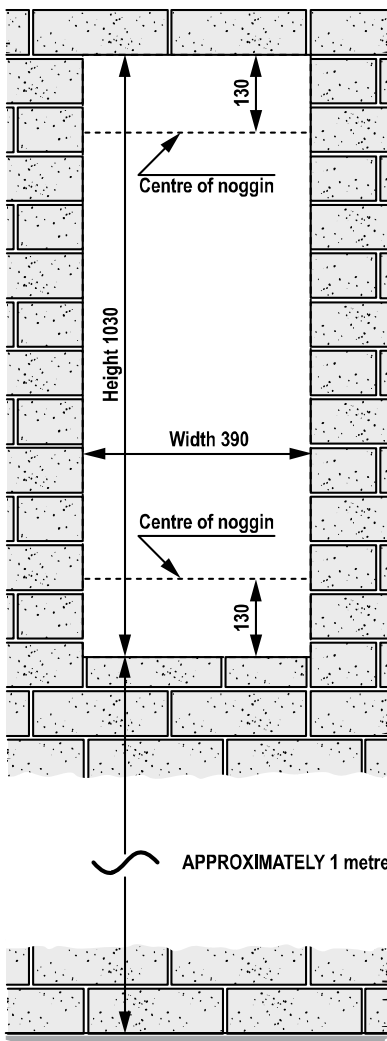


The Rinnai water heater serial and model numbers on the data plate located on the left hand side of the appliance **MUST BE** copied to the sticker on the inside of the Smartbox cover. The serial and model numbers are required for future service work.

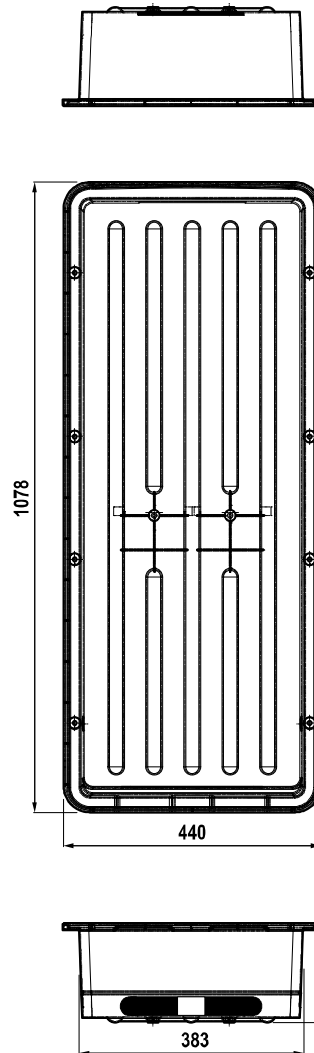
- Remove the two M5 Nyloc nuts ③ from the fixing studs ④ of the insert.
- Insert the upper mounting bracket ⑤ of the Rinnai water heater into the bracket slot ⑥ located at the top of the insert.
- Push the appliance up until the lower mounting bracket ⑦ aligns with the fixing studs ④ and secure in place with the two M5 Nyloc nuts ③ removed in step 5.
- Connect the Rinnai water heater in accordance with the Operation / Installation manual supplied with the water heater.
- An approved weatherproof electrical GPO can be fitted on either side inside the insert in accordance with AS 3000 Wiring Rules.
- Commission and test the water heater in accordance with the Operation / Installation manual supplied with the water heater.
- Attach the warning sticker that is supplied with these instructions to the front cover of the Rinnai water heater.
- Install the Smartbox cover by aligning it with the Smartbox insert (the flue spigot hole is to be uppermost) and push into place ensuring that the 4 locking clips ⑧ have engaged securely.



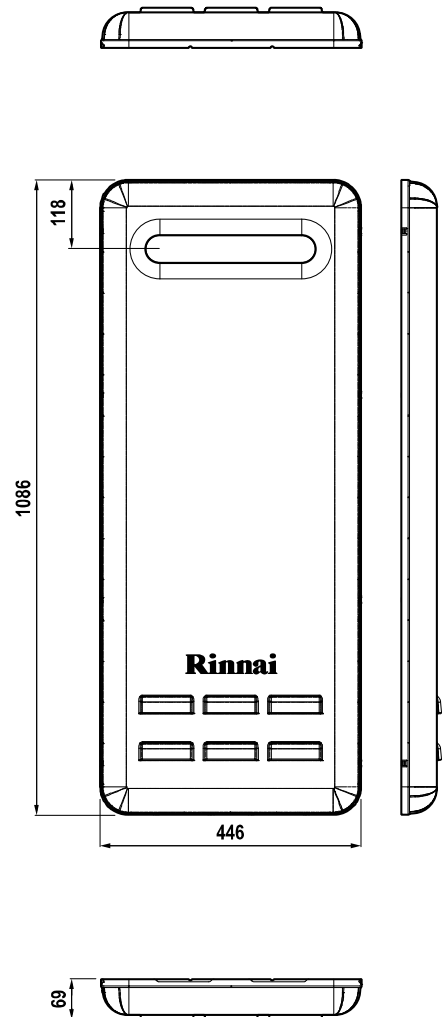
## DIMENSIONS



**OPENING**



**Smartbox INSERT (SBOXI)**



**Smartbox COVER (SBOXC)**

ALL MEASUREMENTS ARE IN MM UNLESS OTHERWISE STATED

## Smartbox® Semi-Recess Frame, SBOXF Installation Instructions

To be used in conjunction with:  
Smartbox Recess Enclosure Insert, SBOXI  
Smartbox Recess Enclosure Cover, SBOXC

### Smartbox® SEMI-RECESS FRAME USE

The SBOXF (Frame) is used when a semi-recessed installation of the Smartbox recess enclosure is required. SBOXF reduces the cavity depth requirements of the SBOXI (Insert) by 60mm. This is useful where the depth of a wall cavity is insufficient to allow SBOXI to be fully recessed (for example weatherboard or other non masonry walls).



**The Smartbox Frame (SBOXF) is to be installed at the same time as the Smartbox Insert (SBOXI) and Smartbox Cover (SBOXC). These instructions are to be followed in conjunction with the Installation Instructions for Insert and Cover supplied with those items.**

### GENERAL PREPERATION

1. Prepare an opening in the wall approximately 1 metre above the ground. The opening requirements are Height 1030mm, Width 390mm and a minimum Depth of 100mm. Ensure the location complies with the requirements of AS 5601 Fig. 5.3.
2. When installing the SBOXF (frame) it should be orientated so that the sealing flange ① is against the wall surface and the two drainage slots ② are in the lower most position.

### SECURING OPTIONS

The Smartbox Frame and Insert are designed for surface mounting and may be secured using any of the methods described below:

#### Ⓐ Securing SBOXI/SBOXF externally

Use the 8 x 100mm bugle screws ③ that are supplied with the SBOXF (frame) to secure both the SBOXF (frame) and SBOXI (insert) to the wall surface.



**When securing the SBOXI (Insert) and SBOXF (frame) from the front, use ONLY the 8 screw holes Ⓐ that are provided. DO NOT attempt to screw or nail through the sealing flange of the SBOXF (frame) as this may damage the frame.**



#### Ⓑ Securing SBOXI/SBOXF internally through the side wall

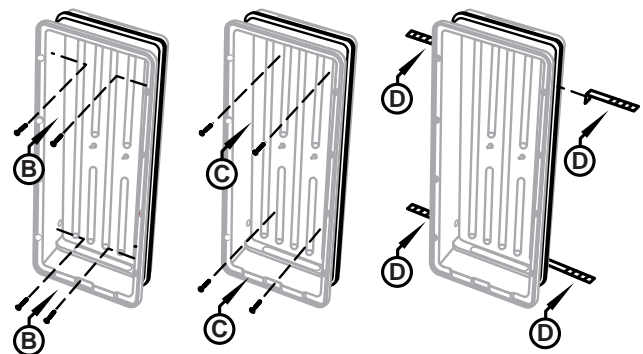
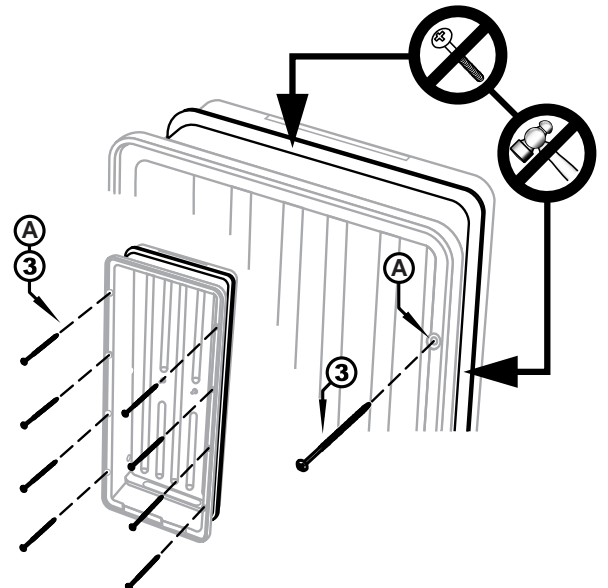
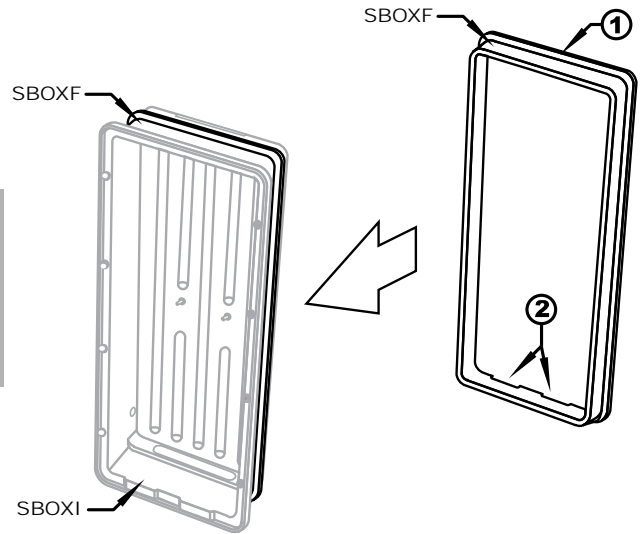
Secure the SBOXI (insert) into a solid fixture such as brickwork, timber studs etc, through the side walls using suitable fasteners.

#### Ⓒ Securing SBOXI/SBOXF internally through the rear wall

Install noggins between wall studs and secure through the rear wall of the SBOXI (insert) using suitable fasteners.

#### Ⓓ Securing SBOXI/SBOXF with the use of brick ties

Secure a brick tie to the side walls of the SBOXI (insert) with pop-rivets or screws.



**Rinnai Australia Pty. Ltd.** ABN 74 005 138 769

#### Head Office

10-11 Walker Street,  
Braeside, Victoria 3195  
P.O. Box 460

Tel: (03) 9271 6625  
Fax: (03) 9271 6622

Internet: [www.rinnai.com.au](http://www.rinnai.com.au) E-mail: [enquiry@rinnai.com.au](mailto:enquiry@rinnai.com.au)

#### National Help Lines

Spare Parts & Technical Info

Tel: 1300 366 388\* Fax: 1300 300 141\*

\*Cost of a local call Higher from mobile or public phones.

Hot Water Service Line Tel: 1800 000 340