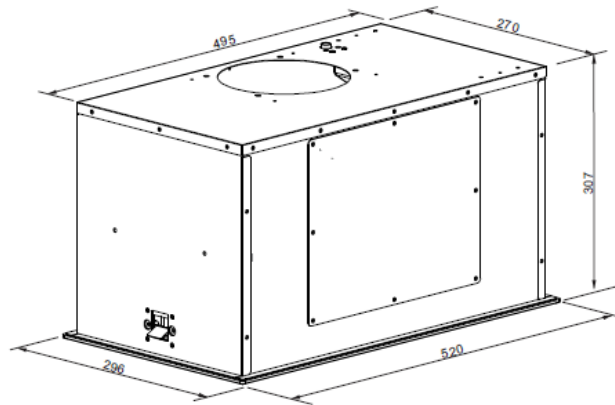
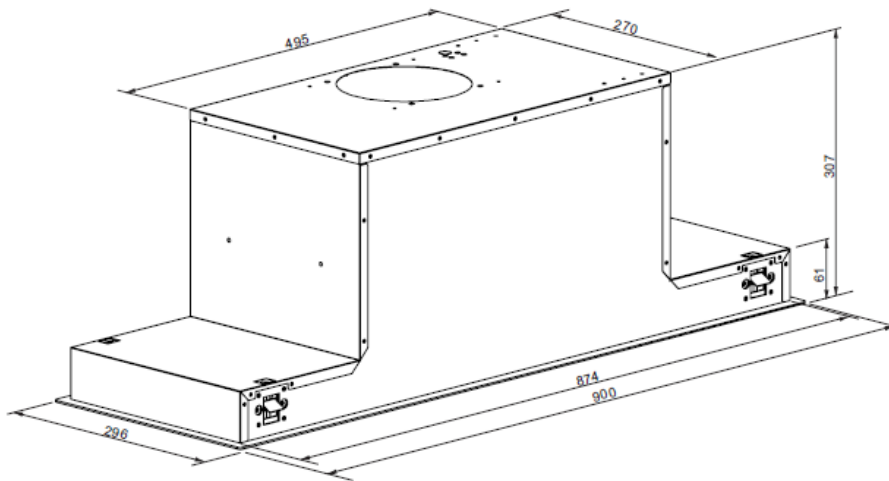


Description: **ROBINHOOD UNDERMOUNT RANGEHOOD**  
Model Number: RPD3CL6BK, RPD3CL6WH, RPD3CL9BK, RPD3CL9WH

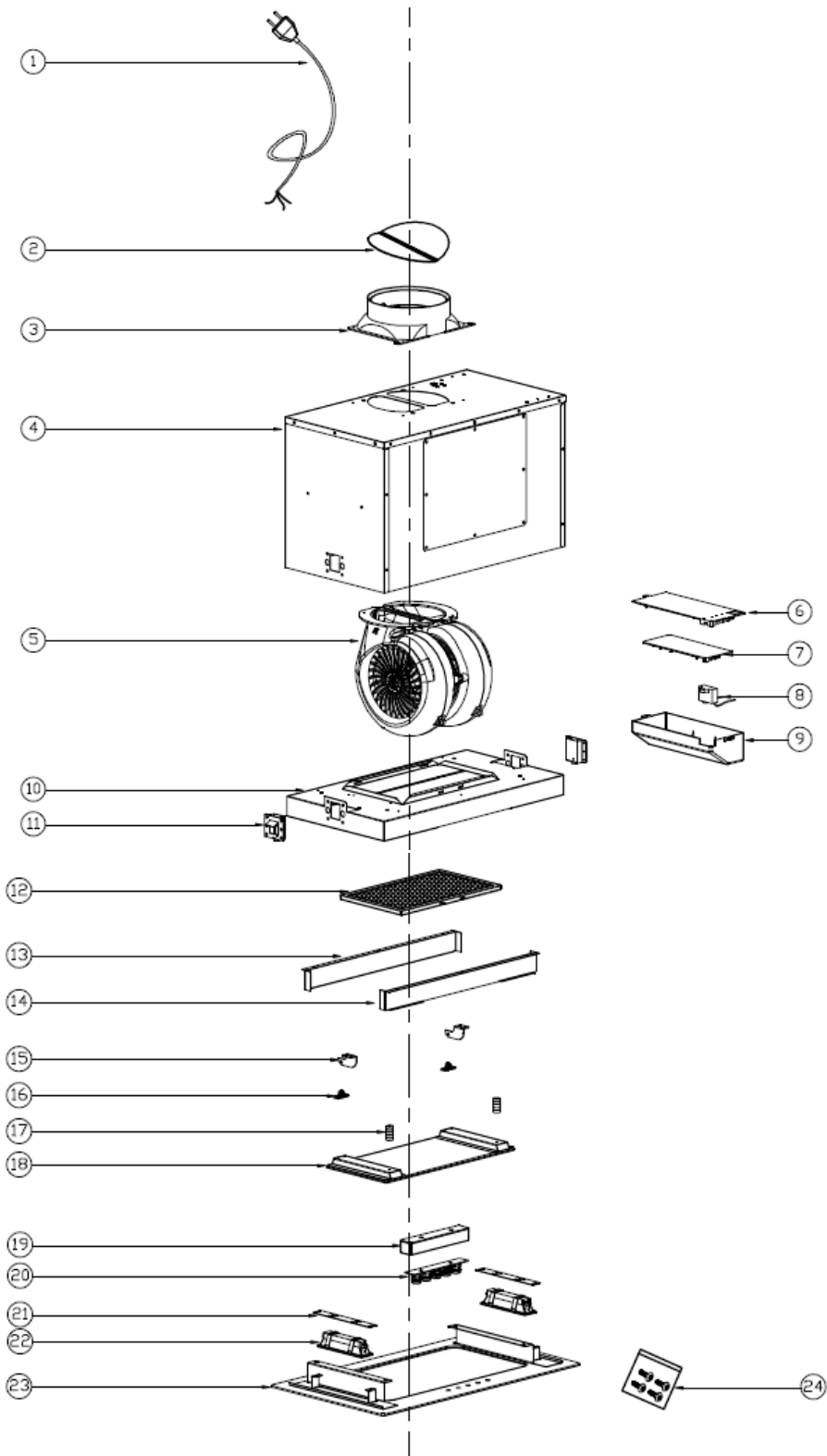


Model pictured: **RPD3CL6BK, RPD3CL6WH**

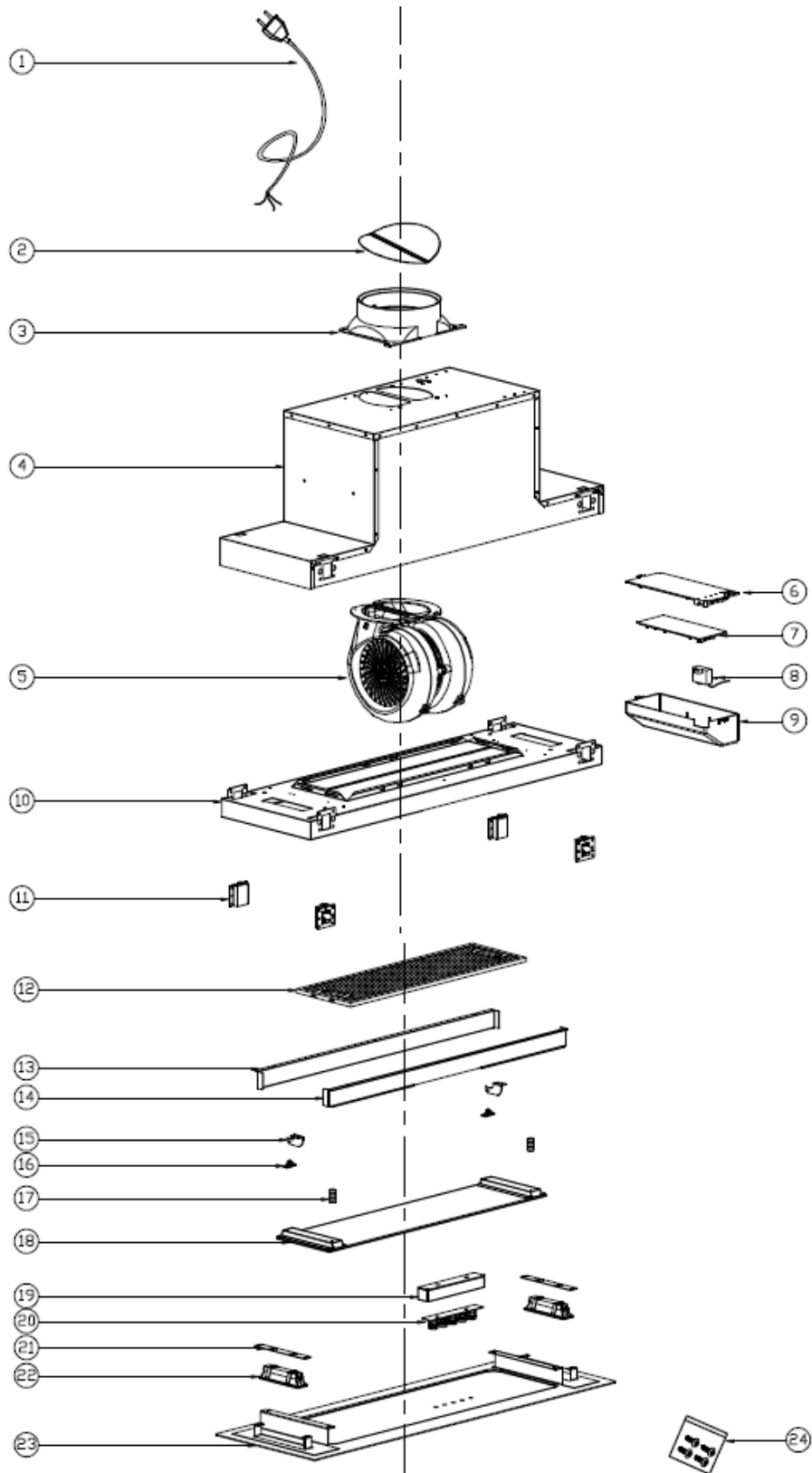


Model pictured: **RPD3CL9BK, RPD3CL9WH**

# Exploded view (RPD3CL6BK, RPD3CL6WH)



# Exploded view (RPD3CL9BK, RPD3CL9WH)

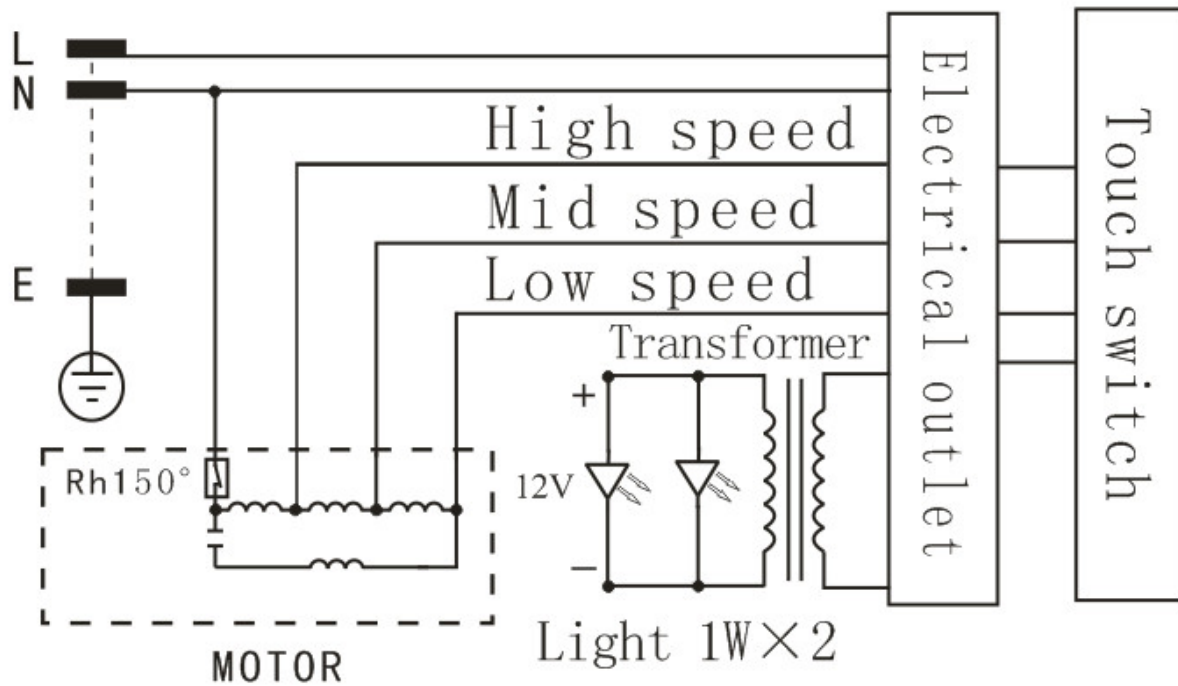


## Parts List

Item	Description	Part number	
		RPD3CL6BK, RPD3CL6WH	RPD3CL9BK, RPD3CL9WH
<b>4, 10, 11,13, 14, 15, 16, 17, 18, 21, 23</b>	Not available as spare parts outside of production		
<b>1</b>	Wire & Plug	1400400050B	
<b>2 &amp; 3</b>	Duct Adaptor	AO150	
<b>5</b>	Motor Assembly	1400200123BA	
<b>6</b>	PCB Box Cover	12001010200143	
<b>7</b>	PCB Board	1400500180	
<b>8</b>	Capacitor	1400100006C	
<b>9</b>	PCB Box Bottom	12001010200017	
<b>11</b>	Bracket/latch assembly (RPD3CL9 only)	1129900029AN	
<b>12</b>	Aluminium Filter	1300100443	1300100444
	Charcoal Filter	RPD6CF152	RPD9CF152
<b>19 &amp; 20</b>	Touch Control	1400500199A	
<b>22</b>	LED Light	1400600060	
<b>24</b>	Screw Kit	S6008CC	

## Wiring Diagram

AC 220-240V /50Hz



### New Zealand

Monaco Corporation Ltd  
Telephone: (09) 415 6000  
Facsimile: (09) 415 7400  
Email: [enquiries@robinhood.co.nz](mailto:enquiries@robinhood.co.nz)  
[www.robinhood.co.nz](http://www.robinhood.co.nz)

### Australia

Shriro Australia Pty Limited  
ABN 28 002 386 129  
Telephone: 1800 648 556  
Facsimile: 1800 628 577  
Email: [enquiries@robinhood.com.au](mailto:enquiries@robinhood.com.au)  
[www.robinhood.com.au](http://www.robinhood.com.au)

 Robinhood