



Features

Efficient and Flexible

- 2 independent MPPTs, more generation
- Advanced control algorithms and high adaptation ability to the grid, improving the stability of power generation system

Safe and Reliable

- IP65 for outdoor application
- Integrated AC/DC full lightning protection
- All industrial grade electronic device, ensure 25 years full life circle running

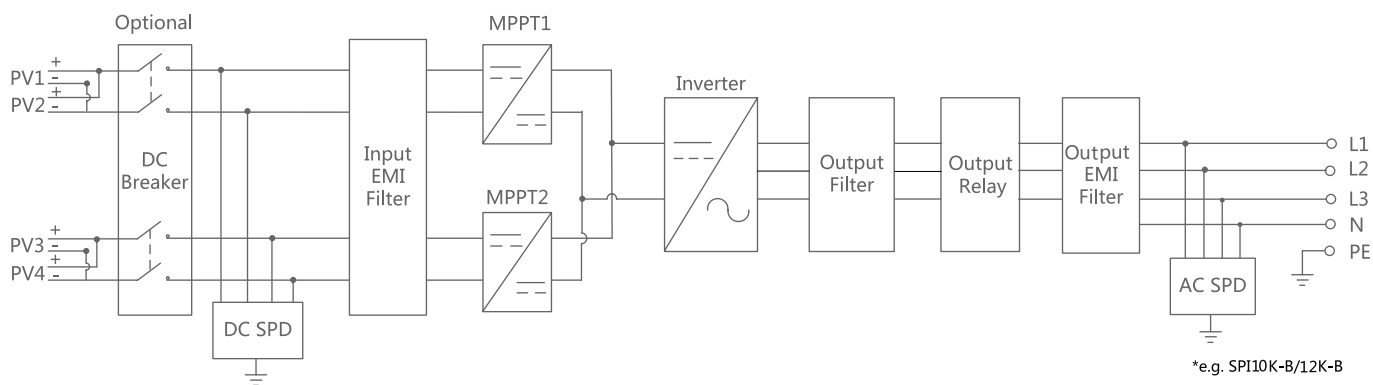
Intelligent Management

- I&V Intelligent diagnosis, accurate identification and positioning of abnormal PV panels
- Support RS485, Wifi, GPRS communication
- Remote online upgrade, convenient and efficient

Grid Friendly

- Grid-connected current harmonics <3%, green adapts to grid
- Ultra wide grid voltage range, with LVRT function

Function Diagram



Three-phase On-grid String Inverter

SPI12K-BL/SPI15K-B /SPI17K-B/SPI20K-B

Technical Specification

Items	SPI12K-BL	SPI15K-B	SPI17K-B	SPI20K-B
DC Input				
Max. PV Input Voltage	1000Vdc			
Rated PV voltage	600Vdc			
Max. PV Input Current	44A(2×22A)	44A(2×22A)	44A(2×22A)	44A(2×22A)
No. of MPPTs	2			
No. of PV strings per MPPT	2/2			
MPPT voltage range	200Vdc~950Vdc			
Starting voltage	200Vdc			
AC Output				
Rated AC output power	12kW	15kW	17kW	20kW
Rated AC output voltage	380/400/415Vac			
Rated output current	17.4A	21.7A	24.6A	29.0A
Max. output current	17.4A	21.7A	24.6A	29.0A
Rated grid frequency	50Hz/60Hz			
Grid frequency range	45~55Hz/55~65Hz			
Power factor	>0.99 (full load)			
Adjustable power factor	0.8 (leading)-0.8 (lagging)			
THDi	<3% (rated power)			
Efficiency				
Max. efficiency	98.50%		98.60%	
European efficiency	98.00%		98.30%	
Protection				
Anti-islanding	Yes			
DC reversed connection	Yes			
AC short circuit protection	Yes			
Temperature protection	Yes			
Surge protection	Yes			
PV fault detect	Yes			
DC switch	Optional			
General				
Dimensions (W×H×D)	480×420×180mm			
Weight	25kg			
IP grade	IP65			
Noise level	<50dB			
Self-consumption at night	<1W			
Cooling type	Intelligent forced air cooling			
Altitude	4000m (>3000m derating)			
Operating temperature	-25°C~+60°C			
Relative humidity	0~95% (Non-condensation)			
Display	LCD+LED			
Communication	RS485/WiFi/GPRS/DRM(Australia)			
DC terminal	MC4 Terminal (Amphenol) H4-RH H4LMB0TM,H4-RH H4LFB0TM,H4-RH H4LMD0TM,H4-RH H4LFD0TM			
AC terminal	OT Terminal			
Installation method	Wall-mounted			
Standard	EN62109-1, EN62109-2 NB/T32004, AS3100, AS4777, EN 61000-6-2, EN 61000-6-3, IEC 62116 IEC 61727,IEC 60068-2-1□IEC 60068-2-2,IEC 60068-2-14,IEC 60068-2-30			

*Specifications are subject to change without prior notice.

Kehua Hengsheng Co., Ltd.

Add: No. 457, Malong Road, Torch High-Tech Industrial Zone, Xiamen Fujian China

Tel: +86-592-5160516 Fax: +86-592-5162166 www.kehua.com



Version No.: 20190717

©2019 Kehua Hengsheng Co., Ltd. All rights reserved.