

### ● Features

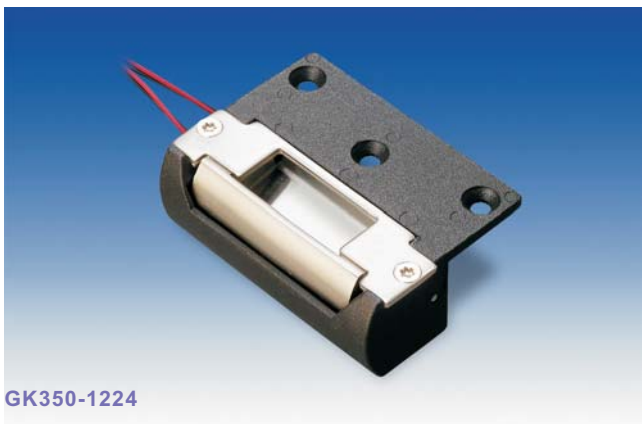
- Dual voltage 12 or 24 VDC (selectable).
- Version Changeable
- The electric strike can be used automatically and manually
- CSIRO Fire-resistance Certificate
- Long life solenoids
- 2000 LBS jaw strength pull testing



GK310-1224



GK311-1224



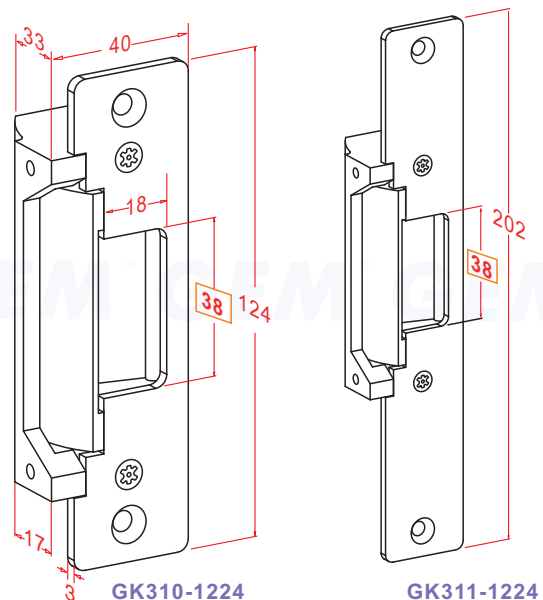
GK350-1224

### ● Statement

The GK300 series electric strike is dual voltage which the locks supplies high and low voltage electrical power and it can be used for either 12 or 24 VDC operation, and the Gk300 series electric strike is easy changeable between fail-safe and fail-secure in the field. Therefore, with special designed mechanism, this electric strike is ideally suited and meets the varying needs of our customers.

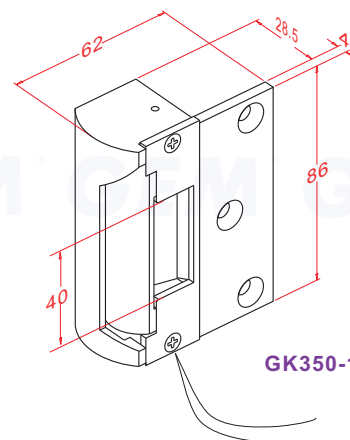
The GK-300 series electric strikes (ANSI-sized) are designed for used with lockset (ex. spring latch), having up to 12 mm keeper depth for in-swinging doors. The units are design for using with most hollow metal frames and aluminum frames. Stainless steel plate ensures strength and long life.

### ● Dimension



GK310-1224

GK311-1224



Unit : mm

GK350-1224

### GIANNI INDUSTRIES, INC.

No.306-1, Hsin Shu Road, Hsin Chuang, Taipei, Taiwan 242  
 TEL: 886-2-2206 9929 FAX: 886-2-2204 6632  
 E-Mail: info@gianni.com.tw  
 Website: gianni.tw

Copyright © 2008 Gianni industries, inc. All rights reserved.  
 DM-CA-GK300-1224 Ver. B Published on 2008.07.29



The products are manufactured under an ISO 9001 & QC 080000 Certified Quality Management Program environment back its product quality, performance and commitment to customer satisfaction.

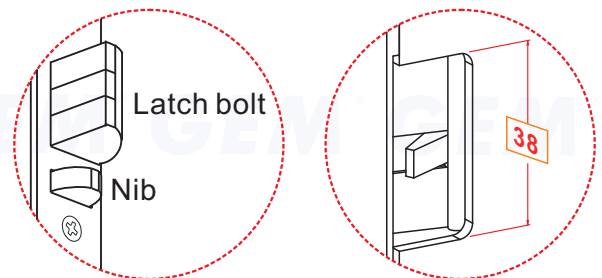
### ● Model Comparison List

Model	Door frame		Application Lockset	Installation	Optional Accessory
<b>GK310-1224</b>	Hollow metal Frames		Latch bolt lock	Flush Mounting	LP-025, LP-050
<b>GK311-1224</b>	Wood Frames		Latch bolt lock	Flush Mounting	LP-025, LP-050
<b>GK350-1224</b>	Hollow metal & Wood Frames		Night Latch	Surface Mounting	

### ● Specifications

- Power Input: 12/24V DC
- Voltage Tolerance: ±15%
- Current Draw: 0.28 A@12 VDC; 0.14 A@24 VDC (at temperature 20°C)
- Operating Temperature: -10~45°C
- Humidity: 0~95% non-condensing.
- Lock's surface Temperature (when the power is on): <current temperature +20°C
- 2000 LBS jaw strength pull testing.
- Tested to 1,000,000 cycles.
- Weight (Approx.): 380 g

### ● What's Latch Bolt Lock ?



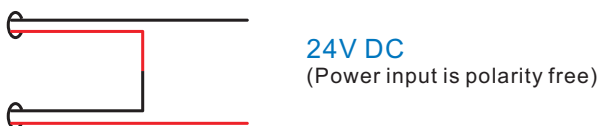
A latch-bolt lock that is a lock equipped with a Nib and a latch bolt. When the door is closed, the Nib will make the latch bolt a dead latch, and latch bolt will slide from door into frame and momentarily fills into the cavity of strike keeper that preventing the door from opening or the latch bolt from jimmying. The Nib This security feature is more suitable for outward opening doors. Latch-bolt locks are available in GK-310 and GK-311 model.

### ● Voltage Selection

For the 12 VDC operation, the electric strikes have to connect **in Parallel**.

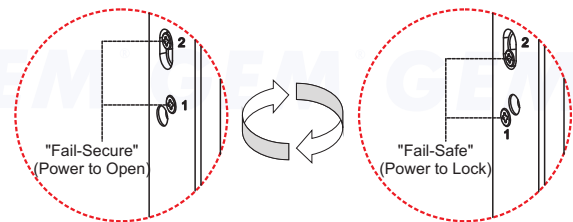


For the 24 VDC operation, the electric strikes have to connect **in series**.



### ● Version Changeable

The series electric strike is easy changeable between fail-safe and fail-secure in the field. This unique design can help our distributors to reduce the inventory and sales pressure and to meet varying needs and requirements.



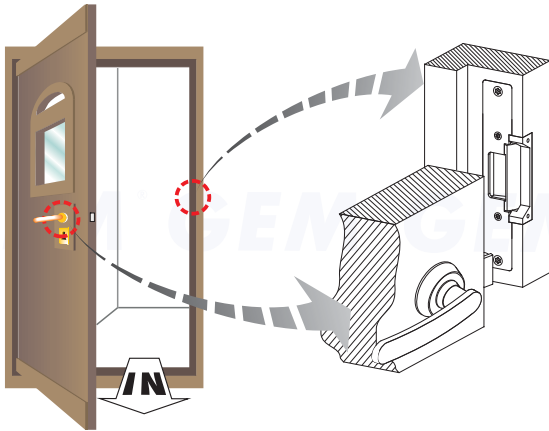
### ● Patents

- ZL 99 2 48179.1 (China)
- US 6299225 B1 (U.S.A.)
- GB2355753 (UK)
- 166716 (Taiwan)

### GIANNI INDUSTRIES, INC.

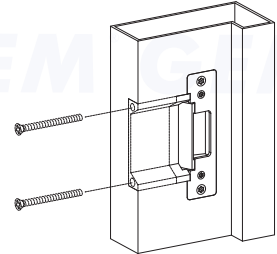
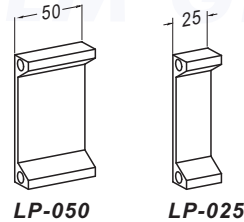
No.306-1, Hsin Shu Road, Hsin Chuang, Taipei, Taiwan 242  
 TEL: 886-2-2206 9929 FAX: 886-2-2204 6632  
 E-Mail: info@gianni.com.tw  
 Website: gianni.tw

### Gk301, 311 Wood Frames Flush Installation

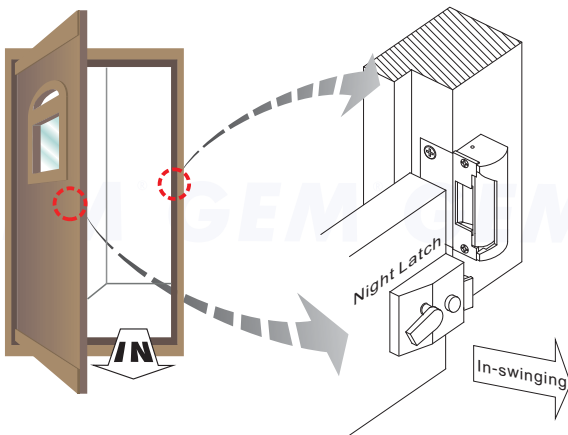


### Optional Accessory

Lip extension brackets for the wide jamb.



### Gk350 Surface Mount Installation



### CSIRO Fire-resistance Certificate

The GEM's product of the alternative items of materials or assemblies have been proved to have withstood a fire resistance as established in accordance with the test procedures of Sponsored Investigation FSV 0609 and the terms of clause 4.1 of Australian Standard 1905, Part 1-1997.

### Long life solenoids

Special solenoid designed for strength and long life and is guaranteed the operating lifetime of at least 1,000,000 times.

### Warranty

The product is warranted against defects in material and workmanship while used in normal service for a period of 3 year from the date of sale to the original customer. The GEM policy is one of continual development and improvement; therefore GEM reserves the right to change specifications without notice.

### GIANNI INDUSTRIES, INC.

No.306-1, Hsin Shu Road, Hsin Chuang, Taipei, Taiwan 242  
 TEL: 886-2-2206 9929 FAX: 886-2-2204 6632  
 E-Mail: info@gianni.com.tw  
 Website: gianni.tw