

Smart Phone Control Kit

Smart Hub Installation Instructions

Garage Door Openers

NETWORK SMART HUB KIT - ORDER NO. 14880		
ITEM	DESCRIPTION	QTY
1	WIRELESS HUB100 WT B&D	1
2	POWER SUPPLY AU 240V	1
3	WALL BRACKET HUB100	1
4	PLASTIC WALL PLUG 6.9 X 25	2
5	SELF TAPPING SCREW 6 X 25	2

This device must be connected to power at all times. **DO NOT** disconnect power after setup.

TRANSCIVER KIT NTR-1V1 - ORDER NO. 14818		
ITEM	DESCRIPTION	QTY
6	NETWORK TRANSCIVER NTR-1V1 AY	1
7	TIMING HARNESS 400MM VR12 AY	1
8	TAPTITE SCREW "P" M4 X 12	2
9	VELCRO 20 X 50	1



Installation Video

To view step by step installation guide video, download a QR Code Reader App from your App Store and scan this code.



This device allows for operation of the door/gate when not in line-of-sight of the door/gate and opener.

The door/gate may operate unexpectedly, therefore do not allow anything to stay in or near the path of the door/gate. When the door/gate is not operating automatically, watch the door/gate when it is moving and keep people away until the door/gate is completely opened or closed. **Contact with the moving door/gate can cause serious personal injury or damage to property.**



It is our strong recommendation that your opener be fitted with **SAFETY BEAMS**. Safety Beams detect any obstructions in the door/gate's path and override automatic operation if one presents. These must be installed as in accordance with AS/NZS 60335-2-95:2012.

This is in addition to regular professional servicing, and monthly obstruction tests as detailed in your opener's Home Owners Manual.

Important Safety Instructions



WARNING!

- DO NOT attempt to disassemble, repair or modify the product. This will invalidate the warranty.
- DO NOT install product on openers that control J-Type or Single Piece Doors.
- Do not allow children to play with the Smart Hub or your smart phone if the B&D phone app has been installed.



ELECTROCUTION!

- Keep the device away from water and other liquids. In the event that water or other liquids enter the device, power off the product immediately and clean the device.
- To reduce the risk of fire or electric shock, do not expose this device to rain or moisture. The device should not be exposed to dripping or splashing.
- DO NOT remove the cover as there are no user-serviceable parts inside.



CAUTION:

Fall from ladder

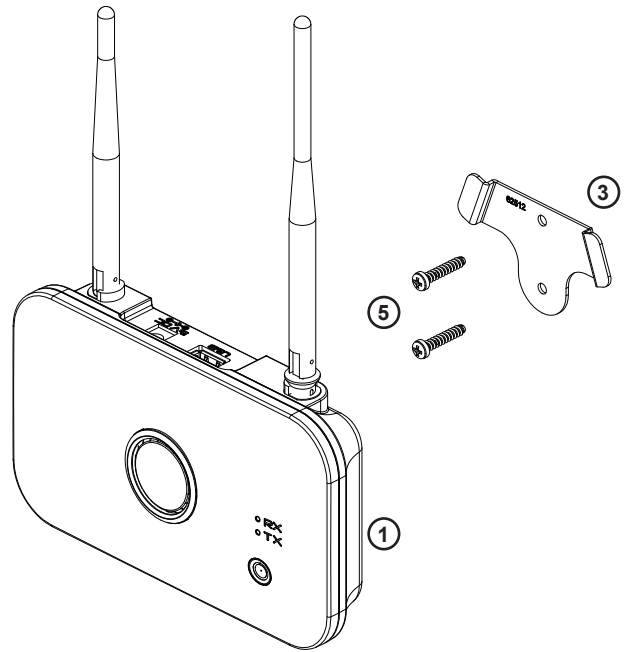
Burns

- Ensure ladder is the correct type for job.
- Ensure ladder is on flat ground.
- Ensure user has 3 points of contact while on ladder.
- DO NOT handle damaged or leaking batteries
- The battery backup kit contains sealed lead-acid batteries that must be disposed of properly at the end of their useful life.

Smart Hub Set Up

Mounting the Hub

- a. Determine whether you are going to wall mount the hub.
 - i. If hub is to be placed on bench, simply connect to power supply (2), turn on and proceed to installing the Transceiver.
 - ii. If hub is to be wall mounted follow steps below.
- b. To wall mount - Use wall bracket (3) as template to mark where to drill holes. Pre-drill holes.
 - i. For plaster walls - insert (2) two Plastic wall plugs (4) into holes, place wall bracket over holes and affix with (2) two self tapping screws (5).
 - ii. For brick walls - place wall bracket (3) over holes and affix with (2) two self tapping screws (5).
- c. Slide the hub over the bracket.
- d. Connect the power supply (2) and turn on.



This device must be connected to power at all times. DO NOT disconnect power after setup.

Roller Door Opener Set Up

GDO-6

Preparation of Opener

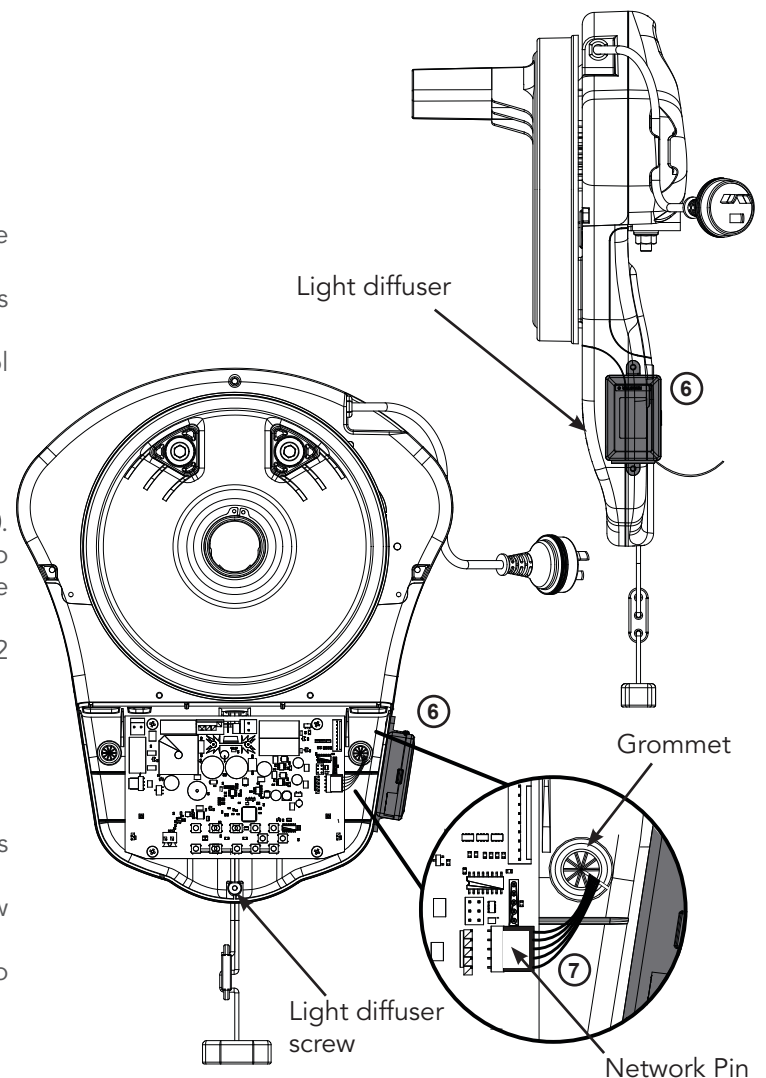
- a. Disconnect the power supply to the opener.
- b. Remove the light diffuser via screw at the bottom.
- c. Remove the grommet out of the back cover.
- d. Cut (1) one side of the grommet with a knife or scissors.
- e. Slide the network timing harness (7) into the cut in the grommet.
- f. Refit grommet to back cover by sliding the harness through hole before fitting grommet.
- g. Connect the harness to the network pin on the control board.
- h. Refit the light diffuser.

Mount and connect Transceiver

- a. Plug the other end of the harness into the transceiver (6).
- b. Place the transceiver (6) on the side of the opener to the black, back cover so that the screw holes on the transceiver line up with those on the back cover.
- c. Secure transceiver using the (2) two Taptite M4 x 12 screws (8) or velcro (9).

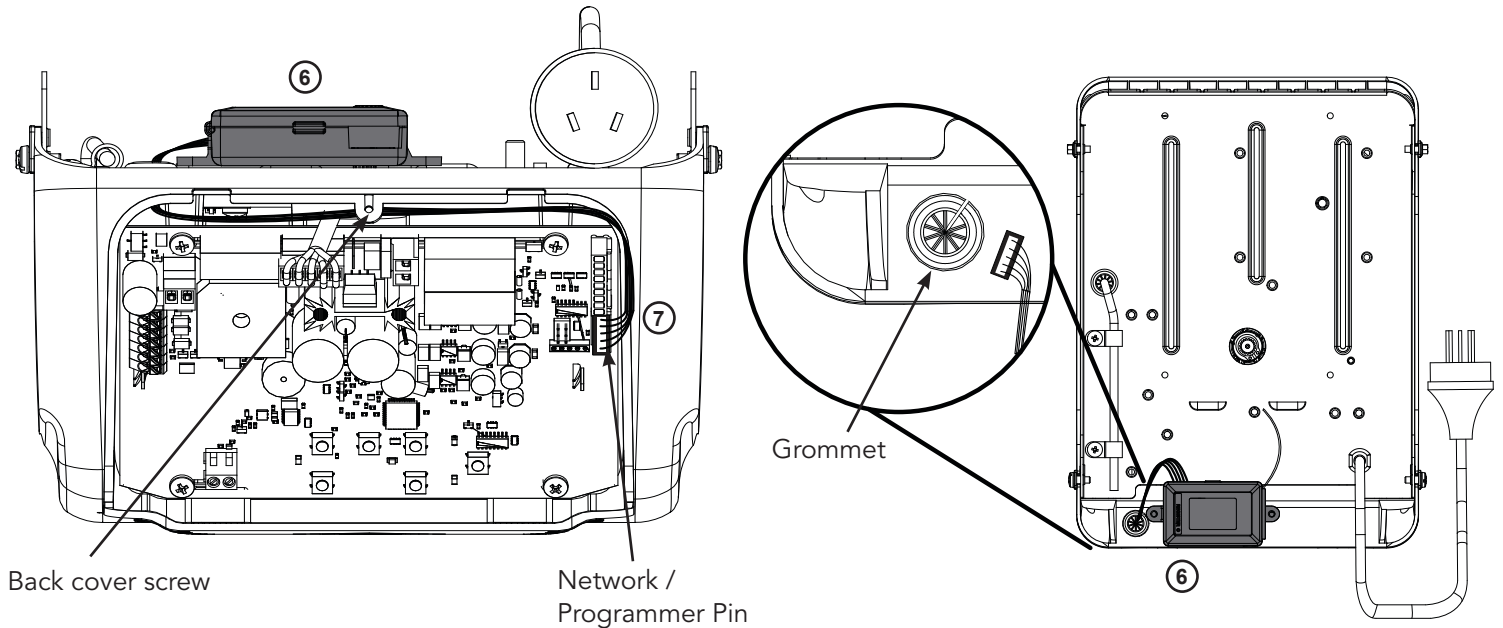
Re-setup and Test the Opener

- a. Reconnect power and remove the button cover.
- b. Setting Limits:
 - i. If limits have not been set, follow the openers installation sheet to set limits.
 - ii. If limits were set previously, clear limits and follow openers installation sheet to set limits.
- c. Refer to the Smart Phone Control Kit User Guide to set up network capabilities.

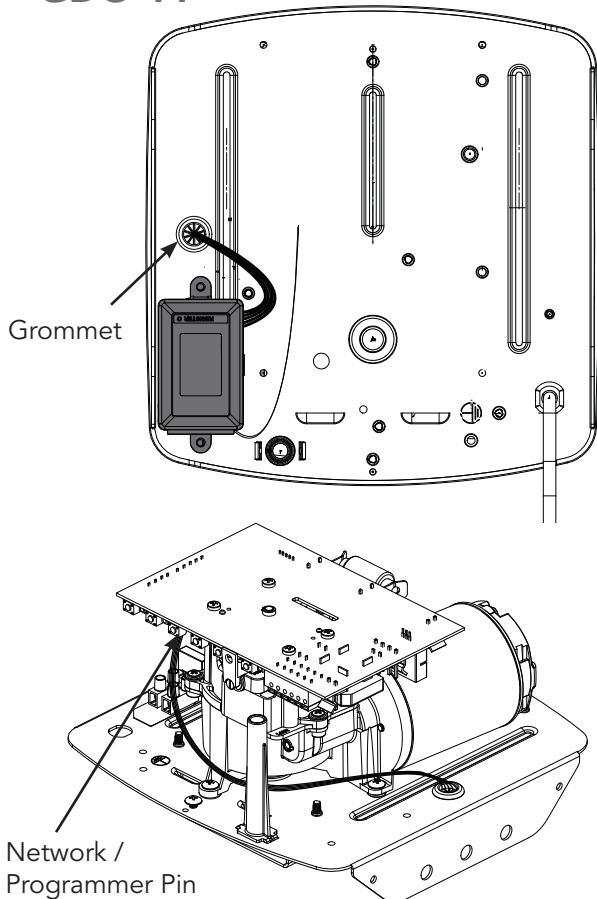


Sectional Door Opener Set Up

GDO-9V2, GDO-9V3 and GDO-11



GDO-11



Preparation of Opener

- Disconnect the power supply to the opener.
- Remove the cover or back cover via screw at top.
- Remove the grommet out of the chassis.
- Cut (1) one side of the grommet with a knife or scissors.
- Slide the network timing harness (7) into the cut in the grommet.
- Refit grommet to chassis by sliding the harness through hole before fitting grommet.
- Connect the harness to the network / programmer pin on the control board.
- Refit the cover.

Mount and connect Transceiver

- Plug the other end of the harness into the transceiver (6).
- Using the velcro (9) stick the transceiver (6) on the top of the opener as shown.



WARNING: DO NOT drill into the chassis or covers. No screws are required to secure the transceiver.

Re-setup and Test the Opener

- Reconnect power and remove the button cover.
- Setting Limits:
 - If limits have not been set, follow the openers installation sheet to set limits.
 - If limits were set previously, clear limits and follow openers installation sheet to set limits.
- Refer to the Smart Phone Control Kit User Guide to set up network capabilities.

Warranty and Exclusion of Liability

1. This Warranty is given by Automatic Technology (Australia) Pty Ltd (ABN 11 007 125 368) (ATA), 6-8 Fiveways Boulevard, Keysborough 3173, 1300 133 944, sales@ata-aust.com.au
2. The Competition and Consumer Act 2010 (including the Australian Consumer Law) and other relevant statutes provide a set of statutory consumer guarantees and other legal rights that cannot be excluded, restricted or modified by contract. This Warranty is in addition to and does not affect any of your rights under the Australian Consumer Law and other relevant statutes.
3. Our goods come with guarantees that cannot be excluded under the Australian Consumer Law. You are entitled to a replacement or refund for a major failure and for compensation of any other reasonably foreseeable loss or damage. You are also entitled to have the goods repaired or replaced if the goods fail to be of acceptable quality and the failure does not amount to a major failure.
4. Subject to your non-excludable rights under the Australian Consumer Law, ATA expressly excludes any liability for consequential loss, incidental or indirect damages (including but not limited to damages for loss of business profits, business interruption and loss of business information) due to a defect of the product. In particular any loss or damage caused to other equipment or accessories used with the product or any loss resulting from a delay in repair is excluded to extent permitted by law.
5. Subject to all of the matters set out below, ATA warrants in relation to the Product that:
 - (a) the Product's will be free of any defects in material and workmanship for at least 12 months after the date of purchase (as evidenced by the sales docket receipt).
 6. No additional warranty will apply for Products repaired during the relevant warranty period.
 7. For all Products repaired outside the warranty period, a six (6) month warranty that the Product will be free of any defects in material and workmanship will apply from the date of dispatch of the Product to you. ATA may charge you for any repairs undertaken outside the warranty period, and will provide you with a quotation in relation to any such costs for your approval before proceeding with any repairs.
8. This Warranty applies only where you:
 - (a) immediately notify ATA at the contact details provided in paragraph 1 above or notify the or the retailer that you purchased the Product from of the alleged defect;
 - (b) return the product to the retailer that you purchased the Product from; and
 - (c) present the relevant sales docket and this Warranty document to the retailer to confirm the date of purchase.
9. Except for this Warranty, ATA gives no warranties of any kind whatsoever (whether express or implied), in relation to the product, and, subject to paragraph 1 above, all warranties of whatsoever kind relating to the product are hereby excluded.
10. This Warranty excludes damage resulting from:
 - (a) normal wear and tear;
 - (b) accidental damage;
 - (c) incorrect installation of the Product;
 - (d) blown fuses, electrical surges, power surges or power spikes;
 - (e) theft, fire, flood, rain, water, lightning, storms or any other acts of God;
 - (f) any installation, configuration or use of the Product contrary to the instructions supplied with the Product;
 - (g) maximum continuous operating time exceeding 1 minute in 10;
 - (h) the operating force exceeding 15kg* (150 Newton) when moving the door manually to the open or closed position;
 - (i) door surface area and/or weight exceeding 28m² and 270kg respectively;
 - (j) the door used with the Product not being in safe working order and condition;
 - (k) repairs which are not authorised by ATA;
 - (l) any failure to install or maintain the Product in accordance with the instructions supplied with the Product;
- (m) any use which is not in accordance with the instructions provided with the Product;
- (n) deliberate or negligent damage to the Product;
- (o) any unauthorised modification to the Product;
- (p) faulty or unsuitable wiring in the building in which the Product is installed;
- (q) damage caused by insects;
- (r) any cost or expense relating to the recall of the Product;
- (s) installation of a residential garage door opener in a commercial or industrial premises or in a dwelling other than a single-family dwelling;
- (t) radio or electrical interference; or
- (u) acts or omissions of any person (including service providers approved by ATA) other than ATA.
11. ATA's liability under this Warranty is limited, at ATA's absolute option, to replacing or repairing the product which ATA, in its unfettered opinion, considers to be defective either in material and/or workmanship or to credit the dealer with the price at which the product was purchased by the dealer.
12. This Warranty does not extend to cover labour for installation of the Product following repairs, the cost of which must be borne by you.
13. This Warranty is limited to Return-to-Base (RTB) repair and does not cover labour for on-site attendance, the cost of which must be borne by you.
14. Except as specified in this Warranty, ATA will not charge you for any repairs or replacements conducted under the Warranty. However, ATA will charge you for any repairs which are not within the scope of this Warranty (or which are not required to be undertaken free of charge pursuant to the Australian Consumer Law).
15. This Warranty is void if the Product is not returned to the manufacturer in original or suitably secure packaging.
16. This Warranty is only applicable for repairs to the product carried out within Australia.
17. This Warranty does not cover consumable items including, without limitation, globes, batteries and fuses.
18. This Warranty is not transferable.
19. Where the Product is retailed by any person other than ATA, except for the warranty set out above, such person has no authority from ATA to give any warranty or guarantee on ATA's behalf in addition to the warranty set out above.
20. Any provision of this Warranty that is prohibited or unenforceable in any jurisdiction is ineffective as to that jurisdiction to the extent of the prohibition or unenforceability. That does not invalidate the remaining provisions of this Warranty nor affect the validity or enforceability of that provision in any other jurisdiction.
21. Products presented for repair may be replaced by refurbished goods of the same type rather than being repaired. Refurbished parts may be used to repair the Product.

NOTES:

1. One (1) cycle = one (1) open and one (1) close action of the door.
2. This Warranty is to be read in conjunction with the owner's copy of the installation instruction manual.
3. * The door that the Product is used with should be balanced in such a way that the user is able to open or close the door manually using a force not greater than 150 Newton (15 kg), other than to initially cause the door to start moving, which may require force in excess of that specified in this paragraph.