



360

High Chair
Model # 044292



**IMPORTANT:
RETAIN FOR FUTURE REFERENCE,
READ CAREFULLY**

Read all instructions before assembly and use of the high chair. Keep instructions for future use.

WARNING

BEFORE ASSEMBLING THIS HIGH CHAIR, READ AND UNDERSTAND THE INSTRUCTIONS.

Follow the manufacturer's instructions

Do not leave children unattended.

The harness must always be used and correctly fitted - most injuries from high chairs are caused by falls.

Position the high chair away from solid structures and benches to avoid injuries caused by falls and by access to dangerous items.

Be aware of the risk of an open fire and other sources of strong heat in the vicinity of the high chair.

Do not use the high chair until the child can sit up unaided.

Do not use high chair unless all components are correctly fitted and adjusted.

Stop using this high chair if any part of the high chair is broken, torn or missing.

KEEP INSTRUCTIONS IN A SAFE PLACE FOR FUTURE REFERENCE.

Check that all parts are engaged before placing a child in the high chair.

Always keep child in view while in high chair.

Not recommended for a child under 6mths old.

The tray is not designed to hold the child in the high chair.

ALWAYS secure your child in the restraint. Ensure that your child wears a correctly fitted and adjusted harness at all times.

Only use the high chair on a secure level surface. Use the high chair on a flat, even and horizontal floor.

DO NOT elevate the high chair on any structure or table.

DO NOT allow children to stand on the seat or footrest or climb into or out of the high chair.

When adjusting the tray, make sure that parts of your child's body are clear of any moving parts.

DO NOT carry the high chair with a child in it.

To reduce the risk of injury, position the high chair away from furniture, walls, hot surfaces and liquids, window covering cords, and electrical cords.

Position the high chair away from furniture when the high chair is not being used at a table with the tray removed.

Periodically check that all parts of the high chair are in good working order.

DO NOT use the high chair if it is damaged or broken.

The weight of the child using this high chair should not exceed **15kgs**.

Promptly replace worn out or broken parts.

Please seek repair and **DO NOT** use high chair if it is not working correctly.

FALLING HAZARD: Prevent your child from climbing on the product.

Be aware of the risk of tilting when your child can push its feet against a table or any other structure.

Read all instructions before assembly and use of the stool mode. Keep instructions for future use.

Follow the manufacturer's instructions.

Age Group: 36 months +

Not recommended for a child under 36 months of age.

The weight of the child using this stool should not exceed 40kgs.

DO NOT leave children unattended.

Position the stool away from solid structures to avoid injuries caused by falls and by access to dangerous items.

DO NOT overload the stool.

DO NOT use on an inclined surface. Use the stool on a flat, even and horizontal floor.

DO NOT elevate the chair on any structure or table.

Be aware of the risk of open fire and other sources of strong heat, such as electric bar heaters, gas fires etc. In the vicinity of the stool.

Periodically check that all parts of the stool are in good working order.

DO NOT use the Stool mode if it is damaged or broken.

DO NOT use the Stool mode unless all components are correctly fitted and adjusted.

Congratulations on your purchase of the **360 High Chair**

This product has been designed and developed with safety, comfort and functionality in mind. Please take the time to read this manual carefully before using this product and keep it in a safe place for future reference.

Contents

Assembly contents list

Assembly / Operating instructions

How to care for your **360 High Chair**




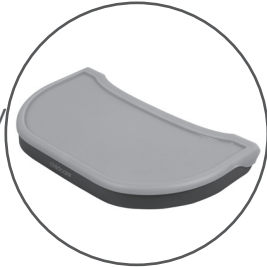

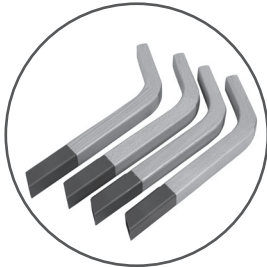

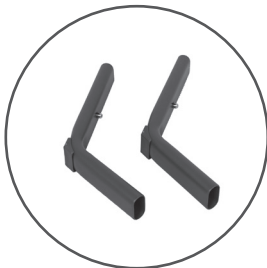

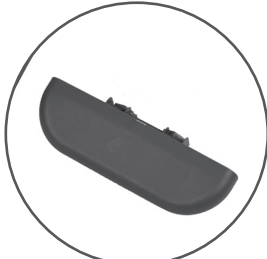
Due to variations in the style and design of our products, the photographs and illustrations shown in this instruction manual are generic, therefore product fabrics, colour and design may vary from images shown. CNP Brands reserves the right to alter product specifications without notice as a result of our ongoing policy of product improvement.

Check what you have received...

You have received **1 box**. Please check the contents of the box against the list below. If anything is missing, please contact Customer Service.

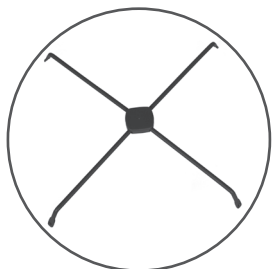
In Australia, contact **CNP Brands on 1300 667 137**, in New Zealand contact **Wainhouse Distribution on 0800 567 5000**.

Supplied loose in box:

Seat (with Seat Pad, Seat Base, Crotch Restraint and Harness pre-assembled)		x 1	Tray (with Sub Tray pre-assembled)		x 1
Bottom Legs		x 4	Top Legs		x 4
Footrest		x 1	Footrest Bar		x 2
Mini Stool Feet		x 4	Footrest Positioner		x 1

Supplied loose in box continued:

Leg Cross Brace
(with Leg Cross
Brace Cap)



x 1

17mm Leg Bolts



x 4

Allen Key



x 1

22mm Leg
Bracing Bolts



x 4

There are no accessories recommended for use with this Childcare 360 High Chair.

To assemble in High Chair Mode...

1

1a. Lay **Seat** flat on the floor face down.



2

2a. Insert 1 x **Top Leg** into the housing on the underside of the **Seat Base**.

2b. Secure with 1 x **17mm Leg Bolts**.

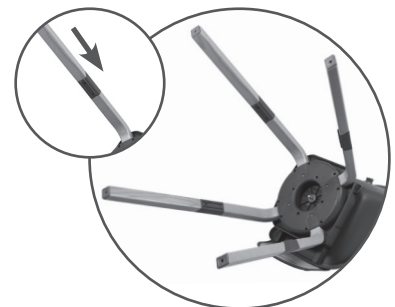
2c. Repeat for remaining 3 x **Top Legs**.



3

3a. Insert 1 x **Bottom Leg** into the housing connected to a **Top Leg**.

3b. Repeat for remaining 3 x **Bottom Legs**.

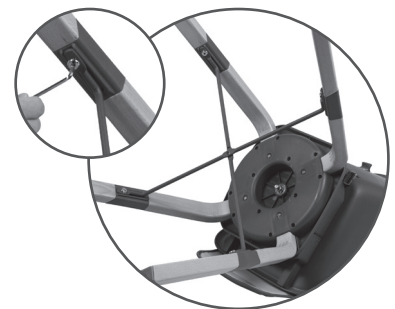


4

4a. Align one end of the **Leg Cross Brace** with the housing located on the inside of the full leg assembly. Ensure the curve in the bracing is angled downward.

4b. Secure with 1 x **22mm Leg Bracing Bolt**.

4c. Repeat for the remaining 3 x **Leg Cross Brace** ends.



5

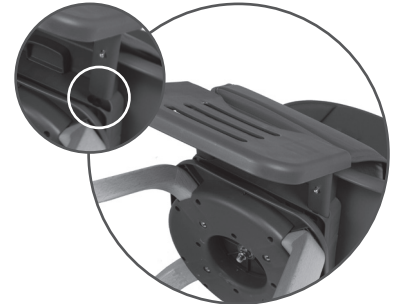
5a. Flip chair over.



To assemble in High Chair Mode continued...

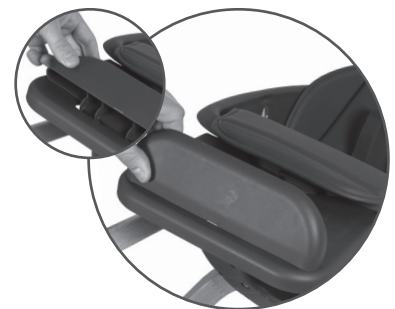
6

- 6a. Insert 2 x **Footrest Bars** into the footrest slots at the front of the chair.
- 6b. Insert 1 x **Footrest** onto the **Footrest Bars**.



7

- 7a. Insert 1 x **Footrest Adjuster** into the desired slot. Push down to secure into place.



8

- 8a. Pull **Seat Pad** footrest elastic over the **Footrest** to secure.



9

- 9a. Stand chair upright.
- 9b. Align the **Tray** with the grooves on the **Crotch Restraint**.
- 9c. Pull tray adjustment latches on both sides of tray and slide along the grooves towards the chair.
- 9d. Release the tray adjustment latches, ensuring **Tray** 'clicks' into position and is secure.



10

- 10a. Align the **Tray** with the grooves on the **Crotch Restraint**.
- 10b. Pull tray adjustment latches on both sides of tray and slide along the grooves towards the chair.
- 10c. Release the tray adjustment latches, ensuring **Tray** 'clicks' into position and is secure.

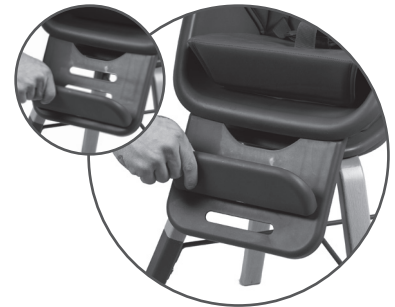


The chair is now ready for use in High Chair Mode.

To adjust the Footrest Positioner...

NOTE: Footrest Positioner can be used in any of the three Footrest positioner slots.

- 1
 - 1a. To remove the **Footrest Positioner**, push up and towards the **Footrest** until the positioner disengages.
 - 1b. To fit the **Footrest Positioner**, insert into one of the designated slots and pull downwards until positioner engages.

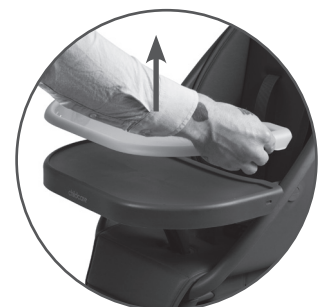
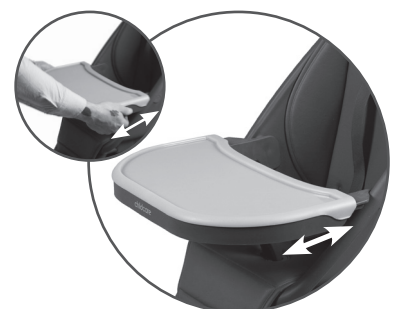


- 2
 - 2a. To remove the complete **Footrest Assembly**, engage the push pins located at the rear of the **Footrest Arms** and slide **Footrest Assembly** away from the **Seat Base**.



To adjust Tray...

- 1
 - 1a. This Tray has 2 adjustable positions.
 - 1b. To adjust **Tray**, pull tray adjustment latches on both sides of **Tray** and slide forward or backward to desired position.
 - 1c. Release the tray adjustment latches, ensuring **Tray** 'clicks' into position and is secure.
- 2
 - 2a. This Tray features a **Sub-Tray**, which is easily removed by lifting the two tabs on the sides of the Tray and lifting **Sub-Tray** away from the **Tray**.



To adjust Tray continued...

3

- 3a. To remove **Tray**, pull tray adjustment latches on both sides of **Tray** and slide away from the **Chair**.



To remove Tray and Crotch Restraint assembly...

1

- 1a. The **Tray** (with **Crotch Restraint** attached) can also be removed as one complete piece.
 1b. Locate and pull the **Assembly Release Lever** underneath the front edge of the **Seat**. This will release the **Crotch Restraint** from the **Seat Base**.



2

- 2a. Angle the **Tray Assembly** upward until the **Crotch Restraint** sides match the shape of the **Seat** cut-outs.



3

- 3a. Push **Crotch Restraint** sides in towards the middle of the chair, until both sides disengage from the **Seat**.



To attach Tray and Crotch Restraint Assembly...

- 1
 - 1a. Align and insert the **Crotch Restraint** sides into the corresponding cut-outs on the **Seat**.
 - 1b. Once in place, pull the **Crotch Restraint** assembly release lever whilst guiding the **Crotch Restraint** into the corresponding cut-out in the **Seat Base**.



- 2
 - 2a. Ensure the **Crotch Restraint** 'clicks' into position and is secure.



To rotate Seat...

- 1
 - 1a. The rotating seat has 12 lockable positions.
 - 1b. Locate the **Swivel Lock Button** on the rear of the **Seat Assembly**.



- 2
 - 2a. Actuate and hold **Swivel Lock Button** whilst rotating **Seat** to desired position.
 - 2b. Release the **Swivel Lock Button**, ensuring **Seat** 'clicks' into position and is secure.



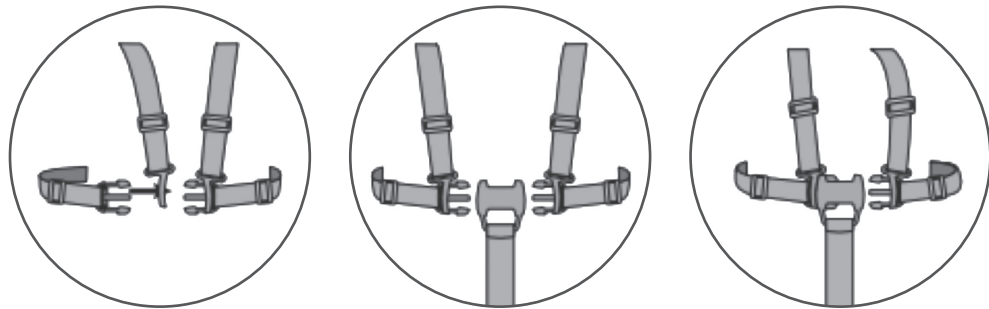
CAUTION: ALWAYS take care when adjusting the chairs position.

To use the Harness...

CAUTION: The harness must be used at all times and be correctly adjusted. Most injuries from high chairs are caused by falls.

- 1
 - 1a. Place baby in the seat.
 - 1b. Attach shoulder straps to waist belt.
 - 1c. Position the crotch strap between baby's legs and feed arms through shoulder straps.
 - 1d. Close buckles. You should hear a 'click' sound.
 - 1e. Adjust sliders for a snug fit (re-adjust as baby grows).
 - 1f. Check to be sure the harness is securely attached by pulling it away from baby, it should remain attached.

NOTE: Use the 5-point harness at all times to ensure that baby is safe and secure while seated.



To remove Seat Pad...

- 1
 - 1a. Follow the earlier steps to remove the **Tray and Crotch Restraint Assembly**.
 - 1b. Undo the **Harness Buckle**.
 - 1c. Remove the **Waist Clips** from the **Shoulder Clips**.



- 2
 - 2a. Feed the **Shoulder Harness Straps** back through the current slots in the **Seat Pad**.
 - 2b. Repeat the above step for the **Waist Straps** and the **Crotch Strap**.



To remove Seat Pad continued...

3

- 3a. Unfasten the **Seat Pad Elastic** from the **Footrest** and remove the **Seat Pad** from the **Seat**.



To assemble Double Sided Seat Pad...

1

- 1a. Choose which side of the **Seat Pad** you wish to display, place the **Seat Pad** onto the **Seat**.
- 1b. Feed the crotch strap up through the corresponding slot in the **Seat Pad**.
- 1c. Repeat the above step for the **Shoulder** and **Waist Harness Straps**.



2

- 2a. Attach **Shoulder Strap Clips** to **Waist Strap Clips**.
- 2b. Engage the **Harness Buckle**.



To remove Harness for cleaning...

1

- 1a. Remove the **D-ring** from the ends of the harness strap by sliding the webbing through the slot in the **D-ring**.
- 1b. Push strap end through the slot in the seat and remove harness.

NOTE: There are 5 harness attachment points.
CAUTION: ALWAYS re-fit harness correctly after cleaning and before re-use.



To adjust Harness Shoulder Strap Position...

1

- 1a. Follow the above steps to remove the 2 x **Shoulder Harness Straps**.
- 1b. Feed the **Shoulder Harness Strap** through the higher **Shoulder Harness Strap** slot in the **Seat**.



2

- 2a. Re-fit the **Harness** with the **D-rings**.



To convert to Stool Mode...

1

1a. Lay chair down flat on the floor.



2

2a. Locate the **Seat Locking Nut** in the centre of the **Seat Base**.

2b. Using a Spanner or Shifter (**not supplied**), remove this locking nut and washer.



3

3a. Stand Stool upright.

3b. Remove the **Seat** from the **Seat Base**.

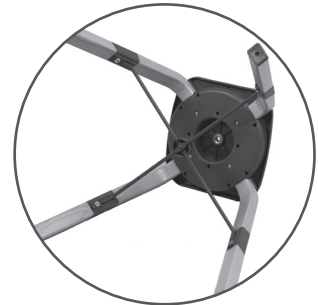


The chair is now ready for use in Stool Mode.

To convert to Mini Stool Mode...

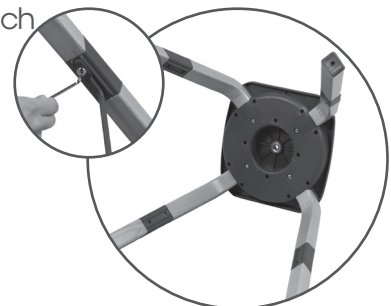
1

1a. Lay **Stool** down flat on the floor.



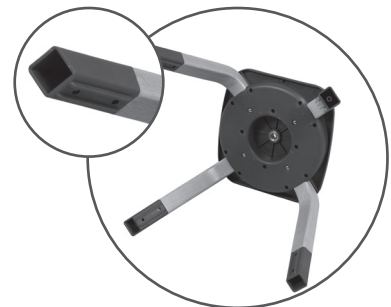
2

2a. Remove 4 x **22mm Leg Cross Brace Bolts** and detach **Leg Cross Brace** from **Stool**.



3

3a. Remove the 4 x **Bottom Legs** from their housings.



4

4a. Replace these with 4 x **Mini Stool Feet**.
 4b. Re-attach **Leg Cross Brace**.
 4c. Secure the **Mini Stool Feet** and **Leg Cross Brace** with the previously used 4 x **22mm Leg Bracing Bolts**.



The chair is now ready for use in Mini Stool Mode.

Cleaning

This product has been designed and developed with safety, comfort and functionality in mind. Please take the time to read this manual carefully before using this product and keep it in a safe place for future reference.

To ensure the long-lasting use of your high chair, wipe down with a damp cloth and use a mild soap solution if necessary. Do not use abrasive cleaners. Always store product in a clean dry place.

Tray:

Wipe clean with a damp cloth and mild soap. Air dry. Do not immerse in water.

Maintenance

Always check parts regularly for tightness of screws, nuts and other fasteners – tighten or replace if required. To maintain the safety of your high chair, seek prompt repairs for bent, torn, worn or broken parts. Use only those parts and accessories approved by **CNP Brands**.

If you have any difficulties in assembling the high chair, please contact our Service Department.

In Australia, contact **CNP Brands on 1300 667 137**, in New Zealand contact **Wainhouse Distribution on 0800 567 5000**.



CNP BRANDS[®]

CHILDCARE NURSERY PRODUCTS

About CNP Brands

Currently, **CNP Brands** boasts one of the most diverse brand portfolios with a combination of company owned brands and distribution agreements. These include distribution lines for **Evenflo, Good Baby, Lascal, Maclaren, Project Nursery, Summer Infant and Yookidoo.**

Our own brands, including **Childcare**, have gone from strength to strength in recent years. **Childcare**, and our premium brand **bebe care**, demonstrate our commitment to quality and continuing investment in product development.



NOTES



A series of horizontal dotted lines for writing notes.



CNP BRANDS®

CHILDCARE NURSERY PRODUCTS



Distributed in Australia by CNP Brands
82 Maribyrnong Street, Footscray, VIC, 3011
Customer Service 1300 667 137

W: www.cnpbrands.com.au
E: info@cnpbrands.com.au
F: www.facebook.com/CNPBrands
I: [@cnp_baby](https://www.instagram.com/cnp_baby)

Distributed in New Zealand by Wainhouse
Distribution
2-6 Argyle St, Morningside,
PO Box 41-014,
St Lukes, Auckland, New Zealand
Customer Service: 0800 567 5000

E: helpline@wainhousedist.co.nz

