

81900

Owners manual : English

Other languages, see
www.lascal.net

buggy board™



Lascal BuggyBoard® mini™, maxi™, maxi+™

www.buggyboard.info

Lascal®

Lascal BuggyBoard® is a registered
trademark created by Lascal

The BuggyBoard® is protected
by patent



KEEP FOR FUTURE REFERENCE ENGLISH

Dear customer, thank you for choosing a Lascal BuggyBoard®. We hope you will be delighted with your purchase and will enjoy going out with your children on their BuggyBoard.

READ THESE INSTRUCTIONS CAREFULLY BEFORE USE AND KEEP FOR FUTURE REFERENCE.

Index

Warnings.....	2
Content.....	3
Wheels.....	4
Connectors	4
Arms	5
Connecting	6
Disconnecting	7
When not in use.....	8
Final Checks	8
Extender Kit	9
Accessory.....	9
Cleaning and recycling	10
Tests.....	10
Warranty	10
Other Lascal products	11
Contact information	12-13
Product registration card	14-15

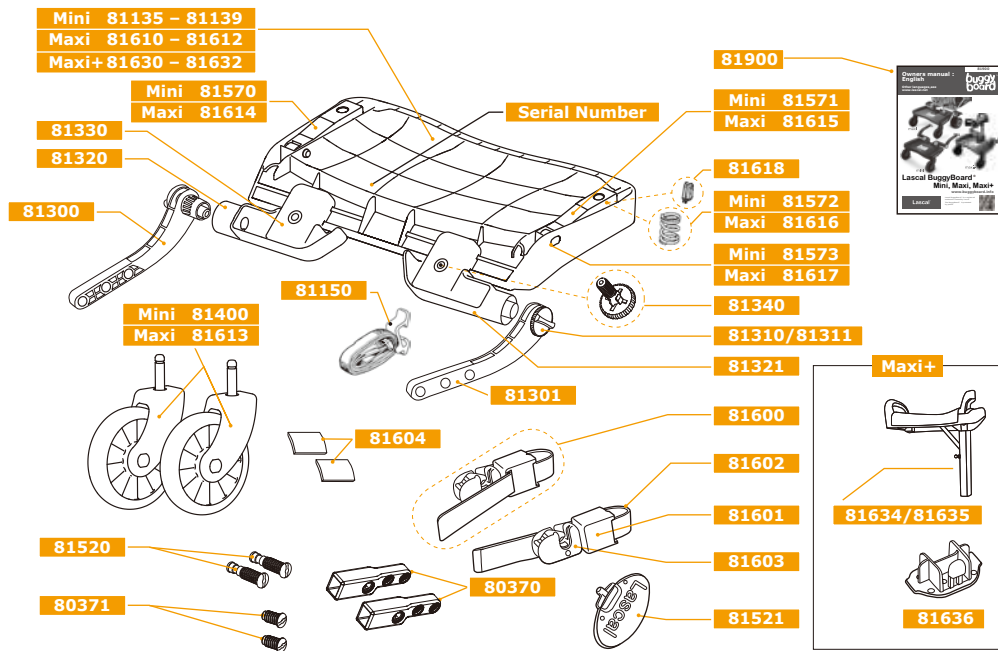
For detailed information regarding fixing the BuggyBoard™ to different kinds of strollers, please visit:
www.buggyboard.info



WARNING

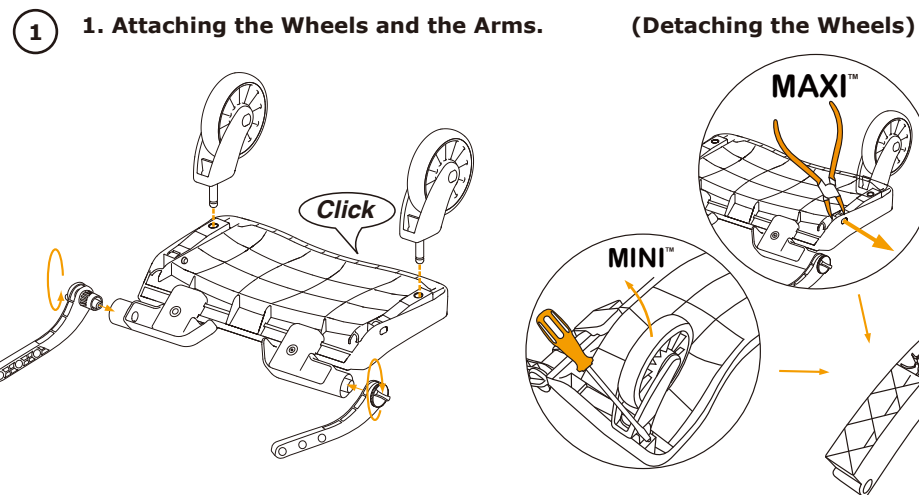
- **Intended for use with only one child at a time from approximately 2 years of age and with a maximum weight of 20 kg (44 lb).**
- **Always keep your hands on the stroller when your child is standing on the BuggyBoard™. Never leave your child unattended while he/she is standing on the BuggyBoard™.**
- **Make sure your child is always standing with both feet on the anti-slip rear portion of the BuggyBoard™.**
- **Never use the stroller's parking brake while your child is standing on the BuggyBoard™.**
- **Before each use, check the connectors and tighten if necessary.**
- **Do not use the BuggyBoard™ if any part is broken, torn or missing.**
- **Never let children play with the BuggyBoard™.**
- **The child should always sit facing backwards if using a BuggyBoard™ Saddle.**

CONTENT BUGGYBOARD - MINI, MAXI, MAXI+

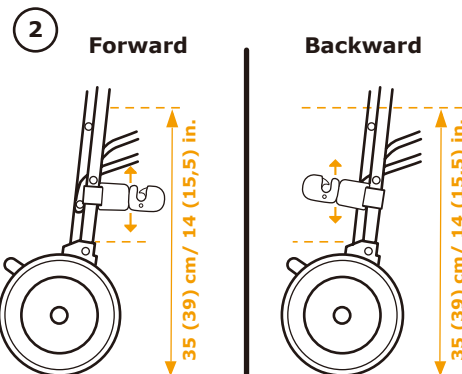


Part no.	mini	maxi	maxi+	Description
81135-81139	81610-81612	81630-81632		Platform
81150	81150	81150		Strap with Hook
81300L/81301R	81300L/81301R	81300L/81301R		Arm Left/ Arm Right
81310R/81311B	81310R/81311B	81310R/81311B		Height Adjustment Screw (Red/Blue)
81320L/81321R	81320L/81321R	81320L/81321R		Arm Support Left/Arm Support Right
81330	81330	81330		Fixing Plate
81340R/81341B	81340R/81341B	81340R/81341B		Fixing Screw
81400	81613	81613		Wheel
81520	81520	81520		Cotter Pin
81600	81600	81600		Connector Assembled
				81601 Connector Cover
				81602 Connector Strap
				81603 Connector Bolt
81604	81604	81604		Friction Tape
81570L/81571R	81614L/81615R	81614L/81615R		Susp. Arm Left/Susp. Arm Right
81572	81616	81616		Susp. Spring
81573	81617	81617		Susp. Rivet
81618	81618	81618		Wheel Locking Cage
80370	80370	80370		Extender
80371	80371	80371		Extender Screw
81521	81521	81521		Cotter Pin Key
81900	81900	81900		User Manual
		81634B/81635R		Blue Saddle/Red Saddle for Maxi+
		81636		Lid for Maxi+

THE WHEELS AND ARMS



THE CONNECTORS

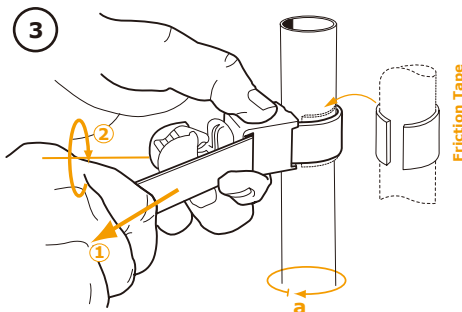


2. Positioning the Connectors.

For more details: www.buggyboard.info

The Connectors can be attached facing forward or backwards. The Connectors can be fitted onto different shapes of tubing with a maximum circumference of 22.5 cm (9 in.). Bend the Strap round the tubing. Then feed the Strap through the slot in the Connector Cover and pull the Strap gently. Check the position of the Connectors to be sure that

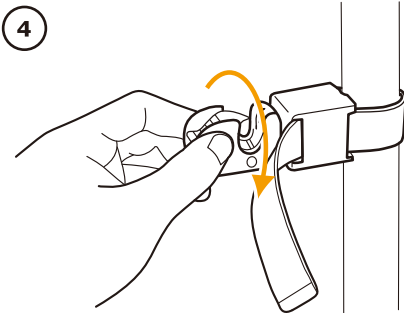
- the Arms (81300/81301) will be able to reach the Connectors (maximum 35 cm (14 in.), with Extenders accessory 39 cm (15,5 in), above the ground).
- they are as low as possible on the stroller.
- they do not interfere with the stroller's folding mechanism.
- the Arms stay clear of both the braking mechanisms and the wheels of the stroller.



a = max . 22.5 cm / 9 in.

3. Attaching the Connectors.

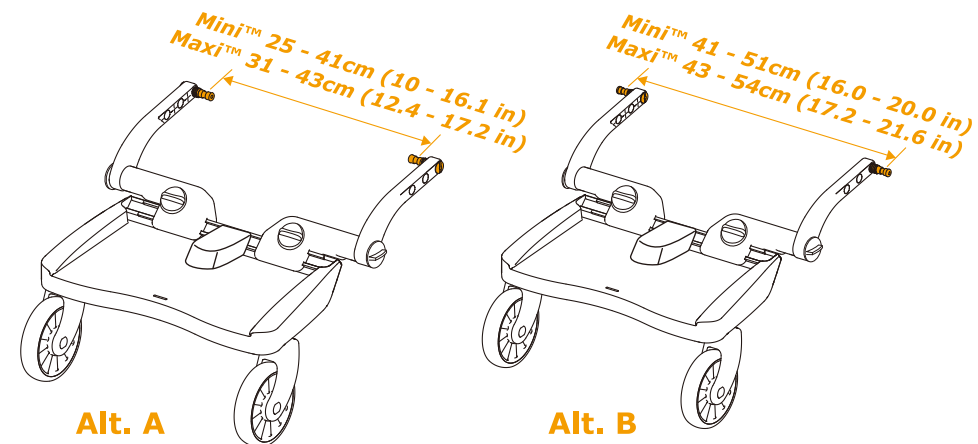
Once certain of the position of the Connectors, loosen the Strap and fix the Friction Tape on the uprights where the Connectors are going to be attached. Reposition the Connector Cover, the Friction Tape and pull the Strap tight. Secure the Connector by turning the Connector Bolt clockwise. Check that the stroller still folds properly and the brakes still work properly; if not, you may need to reposition the Connectors.



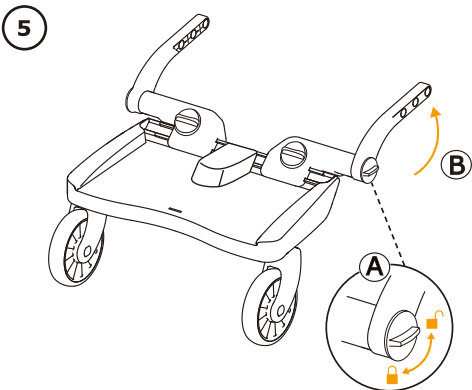
4. Tightening the Connectors.

The Connectors must be firmly attached to the stroller such that they cannot move.

(To detach the Connector. Turn anti clockwise until the Connector come loose)



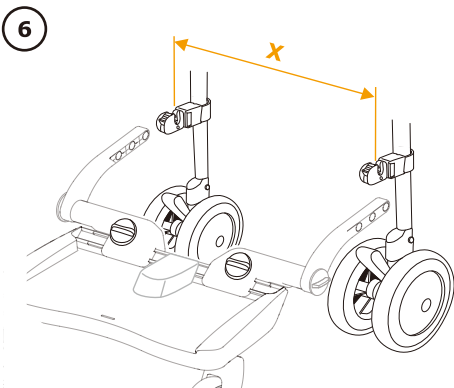
THE ARMS



5. Rotating the Arms forward.

Turn the Platform onto its Wheels.

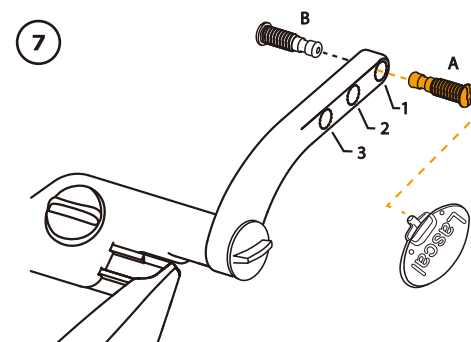
(A) Unscrew the Height Adjustment Screws until they are just released.
(B) Rotate the Arms forward then tighten the Height Adjustment Screws.



6. Positioning the Cotter Pins.

Measure **X** the distance between the middle of each of the Connectors.

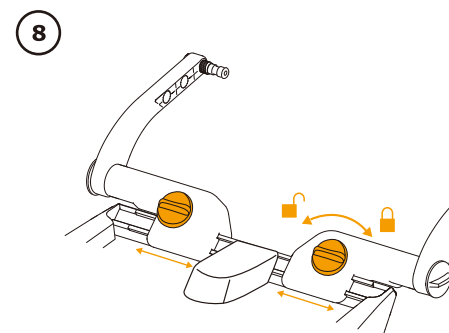
Position the Cotter Pin in direction according to **Alt.A** or **Alt.B** (see next page).



7. Choosing the right Cotter Pin hole.

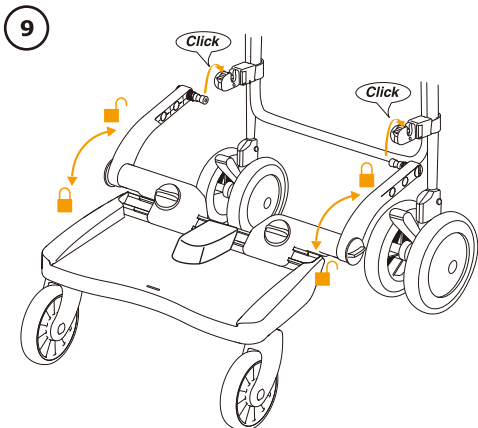
There are three holes in each Arm. To choose the hole that best suits your stroller, position the BuggyBoard™ as close as possible to the back of your stroller, however do make sure that your child can stand comfortably. Screw the Cotter Pin into the chosen Cotter Pin hole, tighten with the Cotter Pin Key. If the Arms are too short to fit to your stroller, use the 'Extender Kit', see Fig 13.

CONNECTING



8. Connecting the BuggyBoard™.

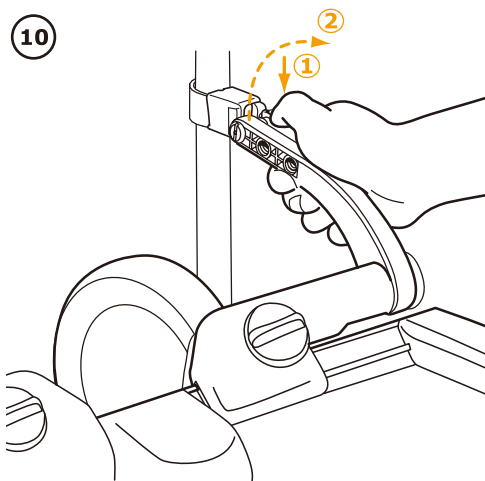
Unscrew the Fixing Screws. Adjust the width of the Arms and click the Cotter Pins into the Connectors, then tighten the Fixing Screws. Ensure that the Arms are an equal distance from the centre of the board and the Cotter Pins are locked in the Connectors.



9. Leveling the Platform.

Unlock the Height Adjustment Screws and rotate the Platform until level. Tighten the Height Adjustment Screws.

DISCONNECTING



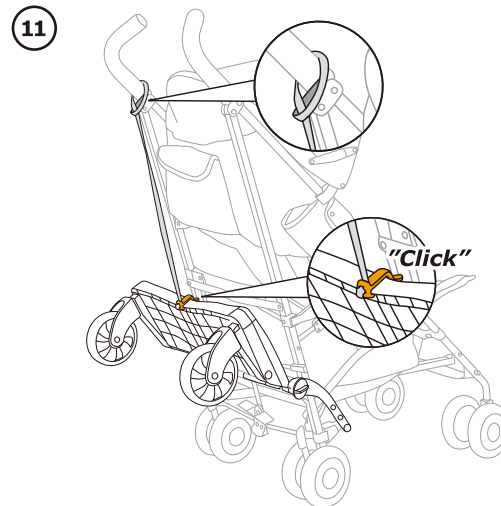
10. Disconnect the BuggyBoard™.

At the end of each Connector Bolt, slide the red Release Buttons down, whilst lifting the A-Arms up and out of the Connectors.

IMPORTANT !

The BuggyBoard™ must be disconnected from the stroller before folding the stroller. Do not fold the stroller with the BuggyBoard™ attached

WHEN NOT IN USE

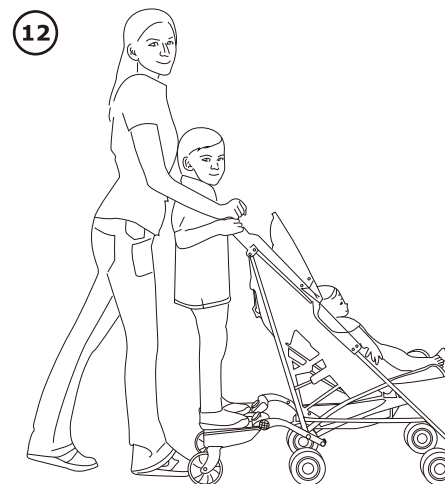


11. Hooking up the BuggyBoard™.

If the BuggyBoard™ is temporarily not in use, it can be hooked up behind your stroller. Clip the Hook onto the Platform and attach the Strap to a higher point on your stroller.

For BuggyBoard Maxi+, remove the Saddle if it's in the way.

FINAL CHECKS



12. Final Checks

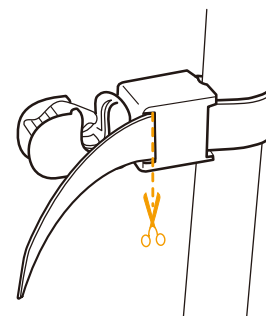
Once the BuggyBoard™ is attached to your pushchair, you should do a test run with one child in the pushchair and another on the BuggyBoard™. The child on the BuggyBoard™ should be able to stand comfortably and if using a Saddle be able to sit comfortably, you should be able to walk easily behind the platform. You may need to adjust the fitting of the BuggyBoard™ to draw the platform either closer to/ further from the pushchair.

Finally, disconnect the BuggyBoard™ and check that the pushchair folds normally. If necessary, you will have to move the connectors, or turn them to face the other direction.

Please refer to www.buggyboard.info and our fitting video for detailed fitting advice.

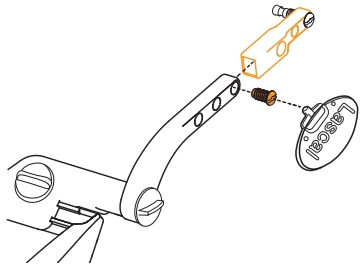
Once the fitting is complete, the straps should be cut as close to the Connector Housing as possible, smoothing any sharp edges.

Note: Leaving the Straps long can interfere with the locking of the Cotter Pin into the Connector, and therefore the safety of the BuggyBoard™ in use.



EXTENDER KIT

13

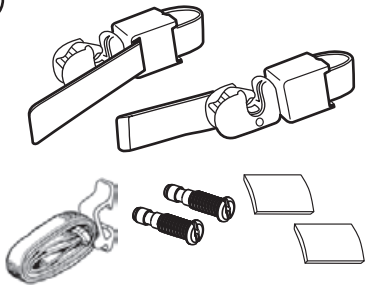


13. Extender Kit Item no. 11310

To attach the BuggyBoard™ onto certain stroller the 'Extender Kit' may be needed. This will lengthen each Arm up to 6cm (2.4"). The Extender Kit is included with the BuggyBoard™.

ACCESSORY

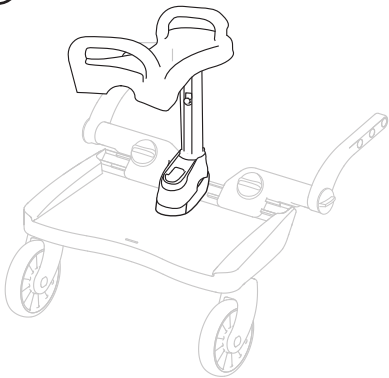
14



14. Extra Connector Kit Item no. 11340

If you want to attach the BuggyBoard™ to another stroller/pram without having to remove the Connectors, you may purchase an Extra Connector Kit as a separate accessory. Each Extra Connector Kit contains: 2 Connectors, 2 Cotter Pins, 2 Friction Tapes and 1 Strap with Hook.

15



15. Saddle for BuggyBoard Maxi (included for Maxi+)

The BuggyBoard Saddle is an exclusive accessory for the BuggyBoard Maxi, which transforms the ride-on board in to a seat for young children. It has been carefully designed to securely and safely clamp on and off the board, which makes fitting easy. No special tools are needed to fit the Saddle. At any time, if your toddler prefers to stand rather than sit, the Saddle simply folds down and out of the way, without needing to be removed.

Attention the child shall always sit backwards.

The use of any accessories with the BuggyBoard™ that have not been approved by the manufacturer is not recommended.

CLEANING AND RECYCLING

Cleaning instructions: Use warm water with a soft cloth and a mild non-abrasive cleaning fluid. All BuggyBoard™ parts and packaging are made from recyclable materials.

TESTS

We are committed to ensuring that the BuggyBoard™ is of the highest quality. The manufacturing process is regularly checked by both internal and external (TÜV) controllers. Samples of parts and completed products are also taken out regularly for tests in our own testing laboratory. The BuggyBoard™ is tested and approved by **according to the relevant clauses** in EN 1888:2012 Clause 6.1.1 – 6.1.5, 7.2.2.6, 17.3, 18.2 and 21.4

All components are tested and meet the standard for children products according to REACH (EU) and CPSIA (U.S.)

WARRANTY

Your BuggyBoard™ is warranted to be free from manufacturing defects for a period of one year from date of purchase under normal use and in compliance with the operating instructions. This warranty extends only to the original retail purchaser and is only valid when supplied with proof of purchase.

KiddyGuard® – avant garde in safety, concept and design

Dangerous places become safe with the new, improved Lascal KiddyGuard® Accent™ and Avant™. Set to become design classics, these 2 elegantly Swedish designs transform the concept of a safety barrier, fitting beautifully into both classic and modern homes.

Brushed aluminium housing combines with either black or white mesh in a discreet barrier that is aesthetically pleasing, yet child-proof.

The KiddyGuard® invisible design 'disappears' when not in use. When open, NO part of the KiddyGuard® is left in your way - no threshold, leaving no trip hazard.

Assure™, Accent™ or Avant™

Choose between the KiddyGuard® Assure™, without housing or Accent™, with a rounded aluminium gate housing, or the premium KiddyGuard® Avant™ which stretches across wider openings, has a square aluminium housing and an even more advanced locking system.

For more information, see www.lascal.net



Lascal®



ALBANIA

Kidscom SA
71 str. Achilleos
104 36 Athens
Greece
Tel: +30 2105232605
E-mail: info@kidcom.gr
www.kidscom.gr

AUSTRALIA

CNP Brands
Derrimut VIC 3030
Australia
Tel: +61 3 9394 3000
Customer Service: 1300 667 137
E-mail: info@cnpbrands.com.au
www.cnpbrands.com.au

AUSTRIA

BMK Handels-und Vertriebs GmbH
1230 Wien
Tel: +43 (0)1-8038767
E-mail: info@popolini.com
www.popolini.com

BELGIUM

Hebeco BVBA
2960 Brecht
Tel: +32 (0)3 330 12 12
E-mail: info@hebeco.be
www.hebeco.be

CANADA

Regal Lager, Inc.
Kennesaw GA, 30144,
U.S.
Ph. 800-593-5522
E-mail: info@regallager.com
www.regallager.com

CHILE

ACAM S.A.
Av. Ricardo Lyon 1343
Providencia, Santiago
Chile
Tel: (56-2) 269 6330

CHINA-SHANGHAI

彩趣貿易(上海)有限公司
上海徐匯區龍華西路585號
華富大廈A棟16樓01室
電話: +86 21 6361 0232
+86 21 6468 1095
傳真: +86 21 6469 8968

CYPRUS

NEW BABY CITY
39h, Digeni Akrita
1070 Nicosia
Cyprus
Ph. +357 22750 462
E-mail: info@newbabycity-online.com
www.newbabycity-online.com

CZECH REPUBLIC

Vispa Náchod sro
549 12 Vysokov 1
Tel.+ 420 491 433 544
E-mail: vispa@vispa.cz
www.lascal.cz

DENMARK

Nord-Ideen,
Martin Frommhagen
23821 Wardersee,
Germany
Tel. +49 (0)4559/18840
www.nordideen.de

ESTONIA / LATVIA / LITHUANIA

4kids OÜ
Randvere tee 17-51
74001 Haabneeme, Harjumaa
Estonia
Phone: +372 5309 0606
Fax: +372 699 0304
E-mail: info@4kids.ee
www.4kids.ee

FINLAND

Britax - Pohjolan Lapset Oy
00930 Helsingfors
Puh. +358 (0)9 343 60 10
E-mail: info@britax.fi
www.britax.fi

FRANCE

Gamin Tout-Terrain
75019 Paris
Tel. +33 (0)1 42 38 66 00
E-mail:
info@gamin-tout-terrain.com
www.gamin-tout-terrain.com

GREECE

Kidscom SA
71 str. Achilleos
104 36 Athens
Greece
Tel: +30 2105232605
E-mail: info@kidcom.gr
www.kidscom.gr

GERMANY

Nord-Ideen,
Martin Frommhagen
23821 Wardersee
Tel. 04559/18840
www.nordideen.de

HOLLAND

Hebeco BVBA
2960 Brecht
Belgium
Tel. +32 (0)3 330 12 12
E-mail: info@hebeco.be
www.hebeco.be

HONG KONG, CHINA & MACAU

Lascal Ltd.
Suite 919, 9th floor, Tower 3
China Hong Kong City
33 Canton Road, Kowloon
Hong Kong (SAR)
Tel. +852 2302-1511
E-mail: info@lascal.com.hk
www.lascal.se

HUNGARY

Brendon Gyermekáruházak Kft.
1138 Budapest
Tel. 01-320-8872
www.brendon.hu

ICELAND

Fifa Ltd.
Reykjavik 110
Ph. +354 552 25 22
E-mail: fifa@fifa.is
www.fifa.is

IRELAND

Cheeky Rascals Ltd.
Stone Barn, The Brows
Farnham Road, Liss
Hampshire, GU33 6JG
U.K.
Tel: +44 (0)1730 895 761
Fax: +44 (0)1730 897 549
E-mail: sales@cheekyrascals.co.uk
www.cheekyrascals.co.uk

ISRAEL

Baby Safe
Ind. Park Kibbutz Mishmarot
Israel
Tel: 972 (0)72 2555100
Fax: 972 (0) 72 2555101
Email : office@babysafe.co.il
Web site www.babysafe.co.il

ITALY

Primi Sogni Srl
24060 Telgate
Tel. +39 (0)35/831271
E-mail: info@primisogni.com
www.primisogni.com

JAPAN – 日本

株式会社 ティーレックス
〒541-0053
大阪市中央区本町2丁目3番14号
船場旭ビル5F
Tel: 06-6271-7501
E-mail: smart@t-rexbaby.co.jp
www.t-smartstart.com

CONTACT INFORMATION (K - Z)

T-Rex, Co. Ltd.
Senba Asahi Bldg
2-3-14 Honmachi
Chuo-ku, Osaka
#541-0053

KOREA

Zero to Seven Co.,Ltd
Hanmi Bldg 11F, 1,
Gongpyeong-dong,
Jongro-gu, Seoul, #110-160
Korea
Tel: 82-1588-8744
Fax: 82-2-740-3197
E-mail: mallmaster@maeil.com
www.0to7.com
Sole Distributor for Buggy Board,
and Kiddy Guard

LUXEMBOURG

Hebeco BVBA
2960 Brecht
Belgium
Tel. +32 (0)3 330 12 12
E-mail: info@hebeco.be
www.hebeco.be

MALAYSIA

INFANTREE PTELTD
23 Tagore Lane
#03-04 Singapore 787601
Tel: 65 64541867
Fax: 65 6454 7784
Email: info@infantree.net

MALTA

Rausi Co. Ltd
San Gwann, SGN 09
Tel. +356 21 445654
E-mail: info@rausi.com.mt
www.rausi.com.mt

New Zealand

Wainhouse Distribution Ltd
Tel: +64 9 815 1020
E-mail: aaron@wainhousedist.co.nz
www.wainhousedist.co.nz

NORWAY

Norske Servicesystemer AS
N-3511 Honefoss
Tel: +47 32 124944
E-mail: post@servicesystemer.no
www.servicesystemer.no

POLAND

Tootiny
ul. Trzebiatowska 16
60-432 Poznan, Poland
Tel: +48-0-61-8499 261
E-mail: mail@tootiny.com
www.tootiny.com

PORTUGAL

B.B. Aventurero, S.L.
Progreso, 35, 08850 Gava
Barcelona, Spain
Tel: +34 93 637 08 44
E-mail:
infor@elbebeaventurero.com
www.elbebeaventurero.com

ROMANIA

Kidscom SA
71 str. Achilleos
104 36 Athens
Greece
Tel: +30 2105232605
E-mail: info@kidcom.gr
www.kidscom.gr

RUSSIA - Россия

107553 Москва
1-ая Пугачевская ул. влад.17
Тел.(495)161 29 45,
(495)161 25 91, (495)161 27 48
E-mail: maxi-cosi@carber.ru
www.carber.ru

Carber Poriferra

Moscow 107553
Tel. +7 (495) 161 29 45

SERBIA

Kidscom SA
71 str. Achilleos
104 36 Athens
Greece
Tel: +30 2105232605
E-mail: info@kidcom.gr
www.kidscom.gr

SINGAPORE

INFANTREE PTE LTD
23 Tagore Lane
#03-04 Singapore 787601
Tel: 65 64541867
Fax: 65 6454 7784
Email: info@infantree.net

SLOVAK REPUBLIC

Vispa Náchod sro
549 12 Vysokov 1
Tel.+420 491 433 544
E.mail:vispa@vispa.cz
www.vispa.cz

SLOVENIA

MAMI d.o.o.
1236 Trzin
Tel. 01-5623350
E-mail: info@mami.si
www.mami.si

SOUTH AFRICA

Buggy Board South Africa
P.O. Box 52
Melkbosstrand
Cape Town 7437
Tel: +27 (0)82 89 00 833
Fax: +27 (0)866 579 041
E-mail: buggyboard@telkomsa.net

SPAIN

B.B. Aventurero S.L.
Progreso 35, 08850 Gava
Barcelona, Spain
Tel: +34 93 637 08 44
E-mail:
infor@elbebeaventurero.com
www.elbebeaventurero.com

SWEDEN

Carlo i Jönköping AB
556 52 Jönköping
Tel. +46 (0)36-690 00
E-mail: info@carlobaby.com
www.carlobaby.com

SWITZERLAND

BAMAG Babyartikel und Möbel AG
CH-8320 Fehraltorf
Tel. +41 (0)44 954 88 00
E-mail: info@babybamag.ch
www.babybamag.ch

TAIWAN

Topping Prosperity Inc.
6/F, No.49, Lane 76,
Ruey-Guang Rd.
Ney-Hwu District
Taipei, Taiwan
Tel: 886-2-87924158
Fax: 886-2-87911586
E-mail: topping2@ms21.hinet.net
www.babybus.com.tw
Sole Distributor For
Buggyboard And M1 Carrier

Evey Co., Ltd

No.12 Lugong S 3rd Rd.,
Lugang Township,
Changhua County, 50544, Taiwan
Tel: 886-4-7811376
Fax: 886-4-7810576
E-mail: info@evey.com.tw
www.evey.com.tw
Sole Distributor For Kiddyguard

TURKEY

Kidscom SA
71 str. Achilleos
104 36 Athens
Greece
Tel: +30 2105232605
E-mail: info@kidcom.gr
www.kidscom.gr

THAILAND

Thai Soonthorn International
Trading Co., Ltd.
316 Soi Taksin 19, Taksin Road,
Bukkalo, Thonburi, Bangkok 1060
Tel: +662 2891891
E-mail: info@thaisoonthorninter.com
www.thaisoonthorninter.com

UNITED ARAB EMIRATES

Goldentoys
Murshid Bazar, Deira
P.O. Box 6761
Dubai
Tel: +97142268448
Fax: +971 2257336
E-mail: goldtoy@eim.ae

UNITED KINGDOM

Cheeky Rascals Ltd.
Stone Barn, The Brows
Farnham Road, Liss
Hampshire, GU33 6JG
U.K.
Tel: +44 (0)1730 895 761
Fax: +44 (0)1730 897 549
E-mail: sales@cheekyrascals.co.uk
www.cheekyrascals.co.uk

UNITED STATES

Regal Lager, Inc.
Kennesaw GA, 30144
Ph. 800-593-5522
E-mail: info@regallager.com
www.regallager.com

Register online at www.lascal.net/web/register or by registration card/post**PRODUCT REGISTRATION CARD**Register your purchase at www.lascal.net/web/register or fill in and return this card by mail.

Registering is the only way to guarantee that Lascal will notify you in the unlikely event we need to issue a safety notification.

Name

Address

City

State

Postcode

Country

E-mail address

Date of purchase

Serial number (see underside of the platform)



PRODUCT REGISTRATION CARD

Place
stamp
here

.....

.....

.....

.....

PRODUCT REGISTRATION CARD

To return this card by mail, please find the address of your national registration office on page 12-13, or register online at www.lascal.net



Please fold and seal with tape before mailing. Do not staple.