



19490, 19610, 19613Z, 19623Z, 19620

Please read the following instructions
and warnings carefully

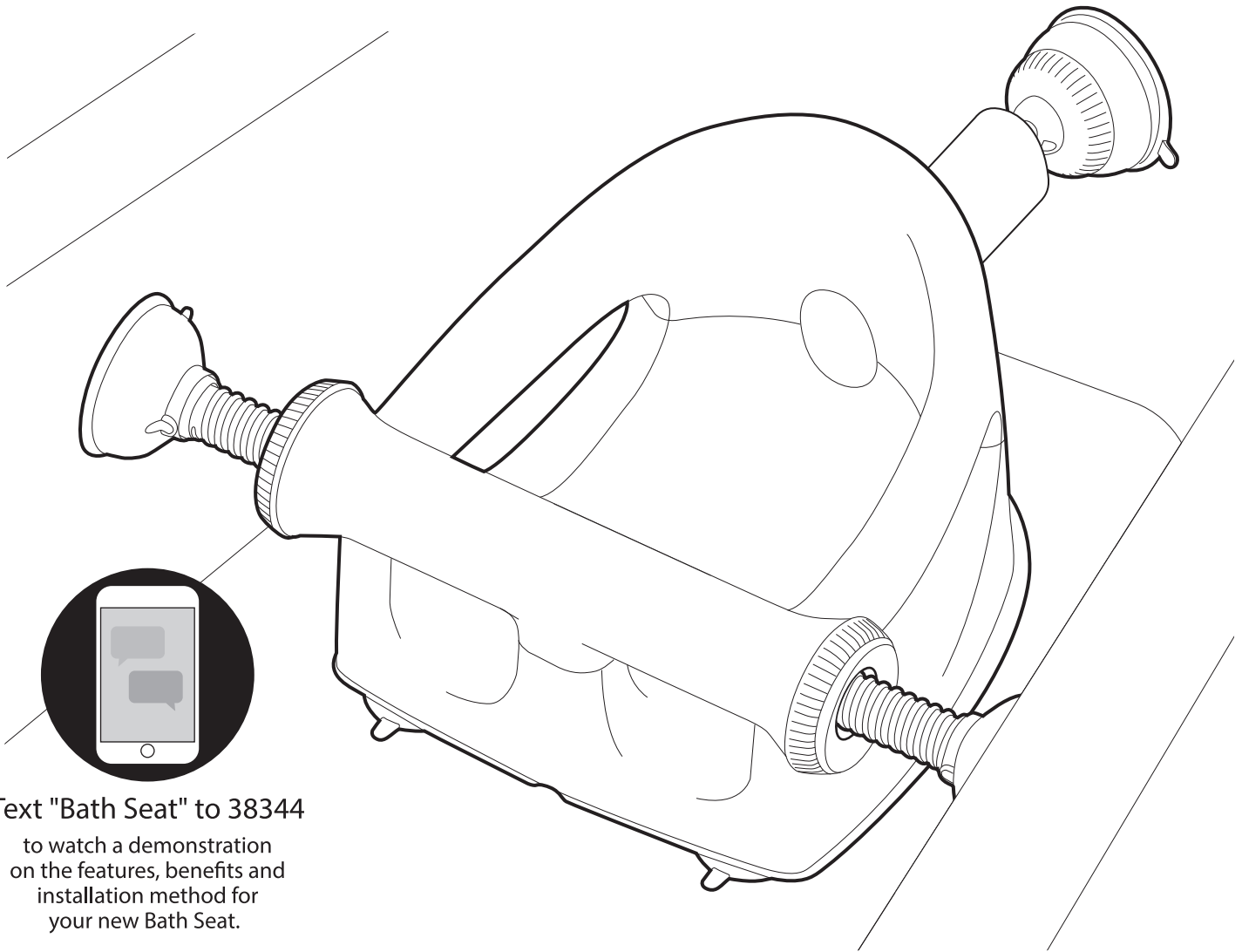
**KEEP THIS INSTRUCTION MANUAL
AND SAVE FOR FUTURE REFERENCE.**

For technical support, contact us at 1-401-671-6551
or www.summerinfant.com/contact

Product is suitable for babies able
to sit up unassisted (approximately 5 months of age).

STOP using when baby begins pulling to a
standing position (approximately 10 months of age).

Adult assembly and installation required.



Text "Bath Seat" to 38344

to watch a demonstration
on the features, benefits and
installation method for
your new Bath Seat.

My Bath Seat™

OWNER'S MANUAL

Thank you for purchasing My Bath Seat™ from Summer Infant.

While this product has been designed to comply with all applicable safety standards and regulations,
please remember to NEVER leave your child unattended at any time.

There is no substitution for adult supervision. Always keep baby within adult's reach.

WARNING

NOT A SAFETY DEVICE

Babies have DROWNED while using bath seats.

- **ALWAYS STAY WITHIN ARM'S REACH OF YOUR BABY.**
- **Product is suitable for babies able to sit up unassisted (approximately 5 months of age).**
- **STOP using when baby begins pulling to a standing position (approximately 10 months of age).**
- **Suction cups will only properly adhere to a smooth, clean surface.**
- **NEVER use in a sink.**
- **ALWAYS firmly lock all 3 suction cups to interior adult tub walls and ensure bottom two suction cups are securely in place on adult bath tub floor according to provided instructions. Check for secure fit before each use. Pull on each of the connections to assure secure fit.**
- **NEVER use product in non-rectangular tub, oval, Jacuzzi or whirlpool style tub, or any tub that has water jet nozzles.**
- **ONLY use in standard rectangular adult tub with inner width dimensions of 21-24 inches.**
- **Discontinue the use of the product if it becomes damaged, broken, or disassembled.**
- **NEVER bathe baby until you have tested the water temperature. ALWAYS check water temperature before placing child into bath seat.**
- **Bath water should be between 90 and 100°F (32.2 and 37.8°C).**

PREVENT DROWNING:

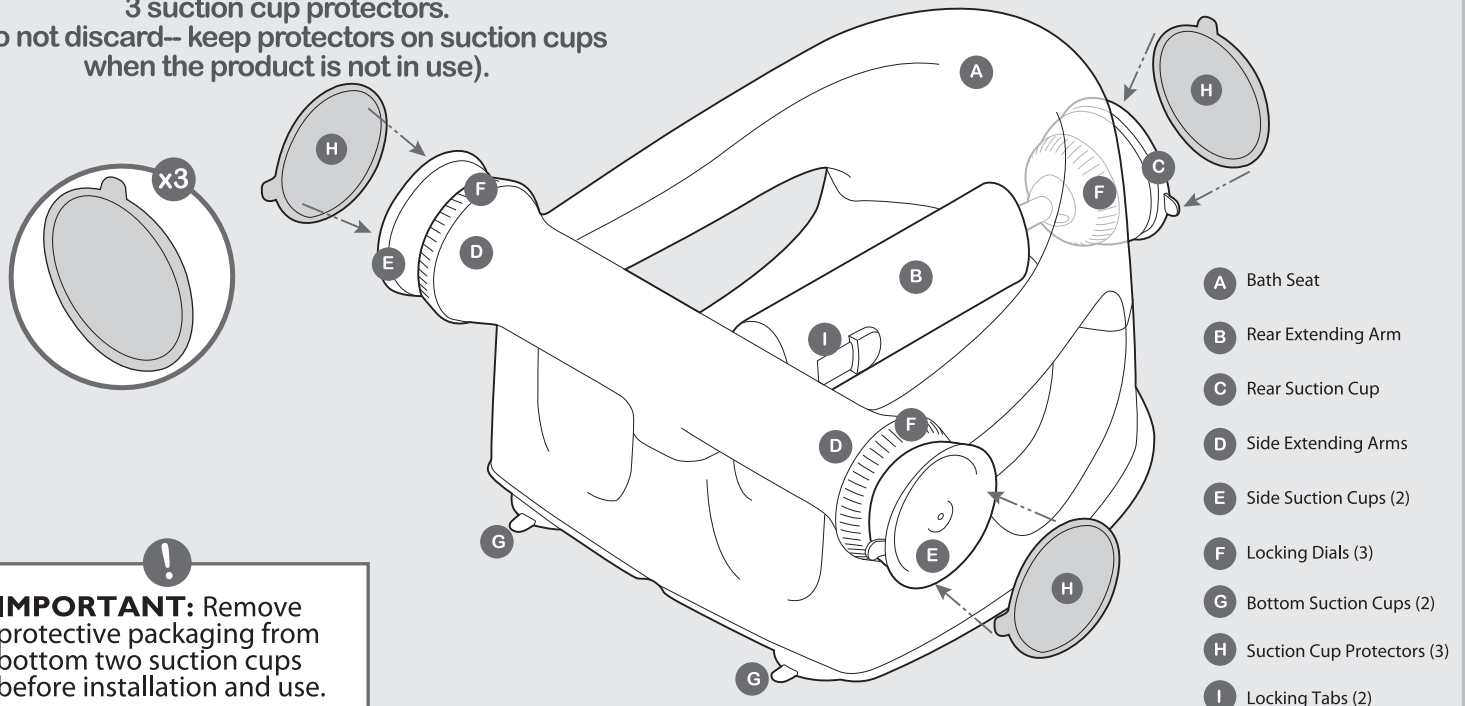
- Babies can drown in as little as 1 inch (2.5 cm) of water. Use as little water as possible to bathe your baby.
- NEVER rely on a toddler or preschooler to help your baby or alert you to trouble. Babies have drowned even when other children are in or near the bathtub.
- NEVER allow other children to substitute for adult supervision. Parent or adult caregiver must always be present within arm's reach of the infant in the bath seat regardless of the circumstances.
- NEVER allow a second child in the tub when bath seat is in use.
- DO NOT fill adult tub over max fill water line mark located on seat.

FALL HAZARD: Prevent serious injury from falling.

- NEVER lift or carry baby in bath seat.

components:

Locate and remove all 3 suction cup protectors.
(do not discard— keep protectors on suction cups when the product is not in use).



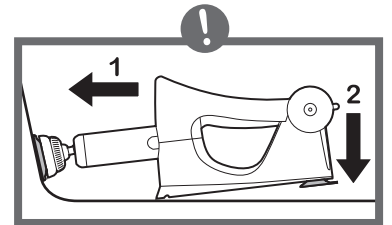
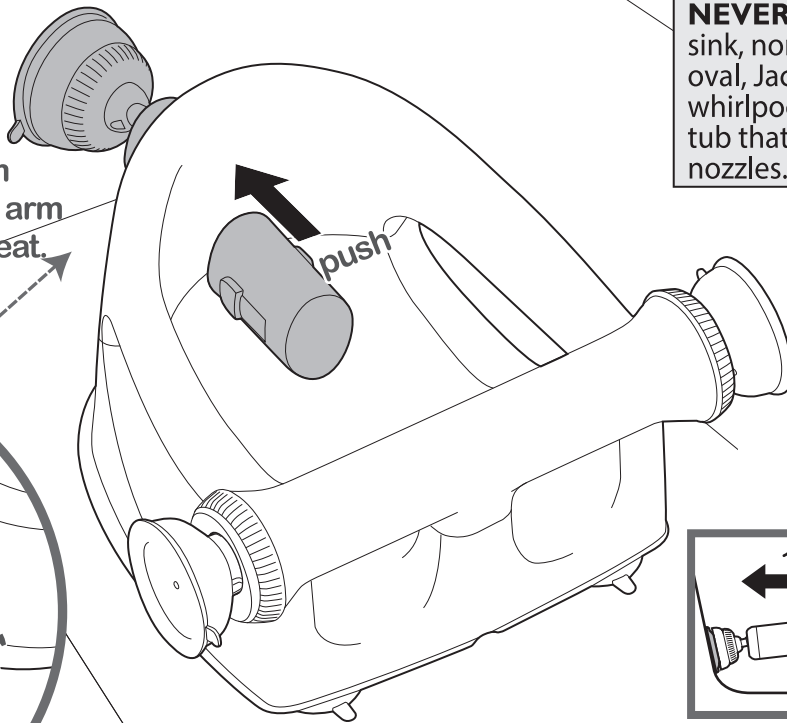
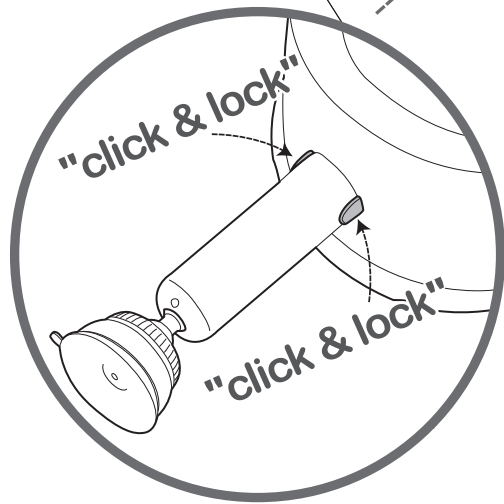
installing the bath seat:

- 1 Place bath seat at rear of standard adult rectangular tub (with inner dimensions of approximately 21-24 inches wide).

⚠ WARNING

NEVER use product in a sink, non-rectangular tub, oval, Jacuzzi or whirlpool-style tub, or any tub that has water jet nozzles.

Fully extend Rear Locking Arm until both Locking Tabs on the arm "click" open on back side of seat. This will ensure the arm is locked in place.

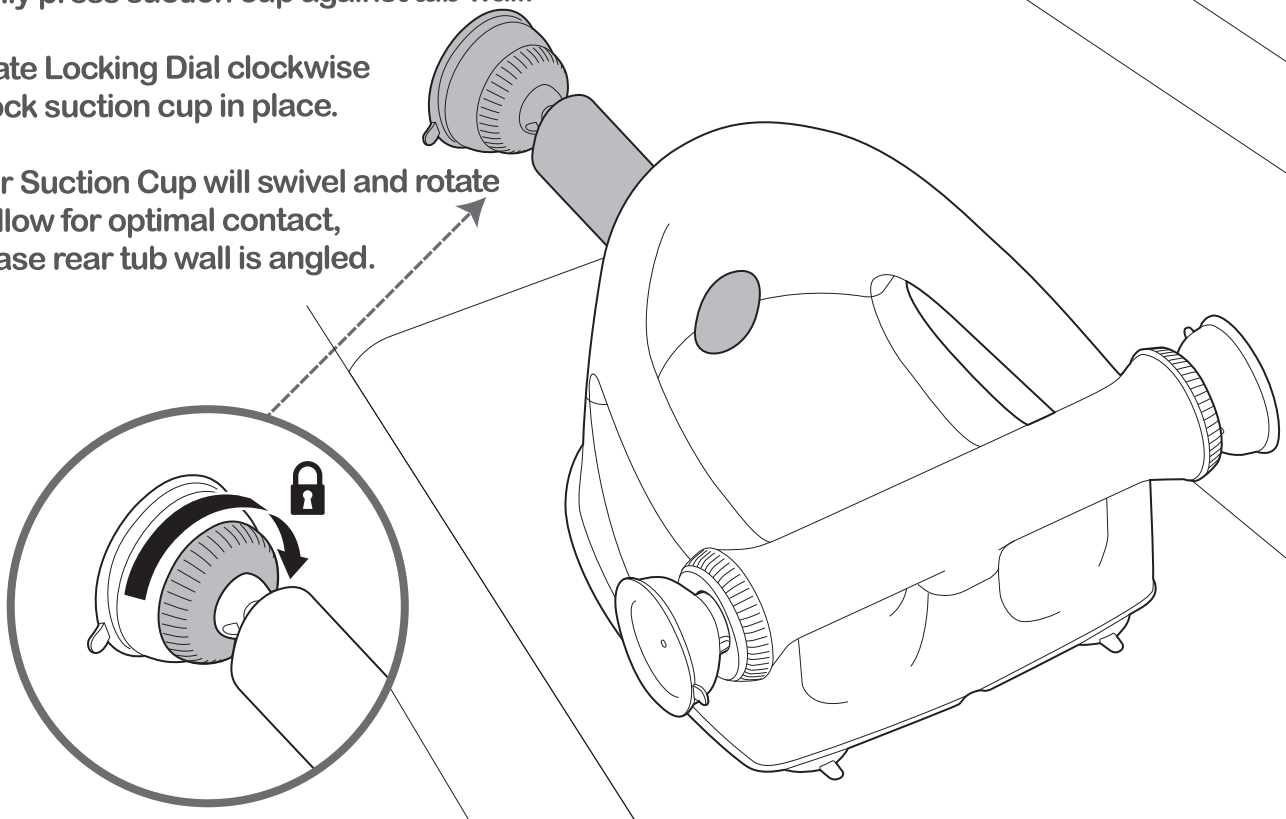


IMPORTANT: Set rear suction cup in place first, then set bottom suction cups in place.

- 2 Ensure Rear Suction Cup is flush against rear tub wall. Firmly press suction cup against tub wall.

Rotate Locking Dial clockwise to lock suction cup in place.

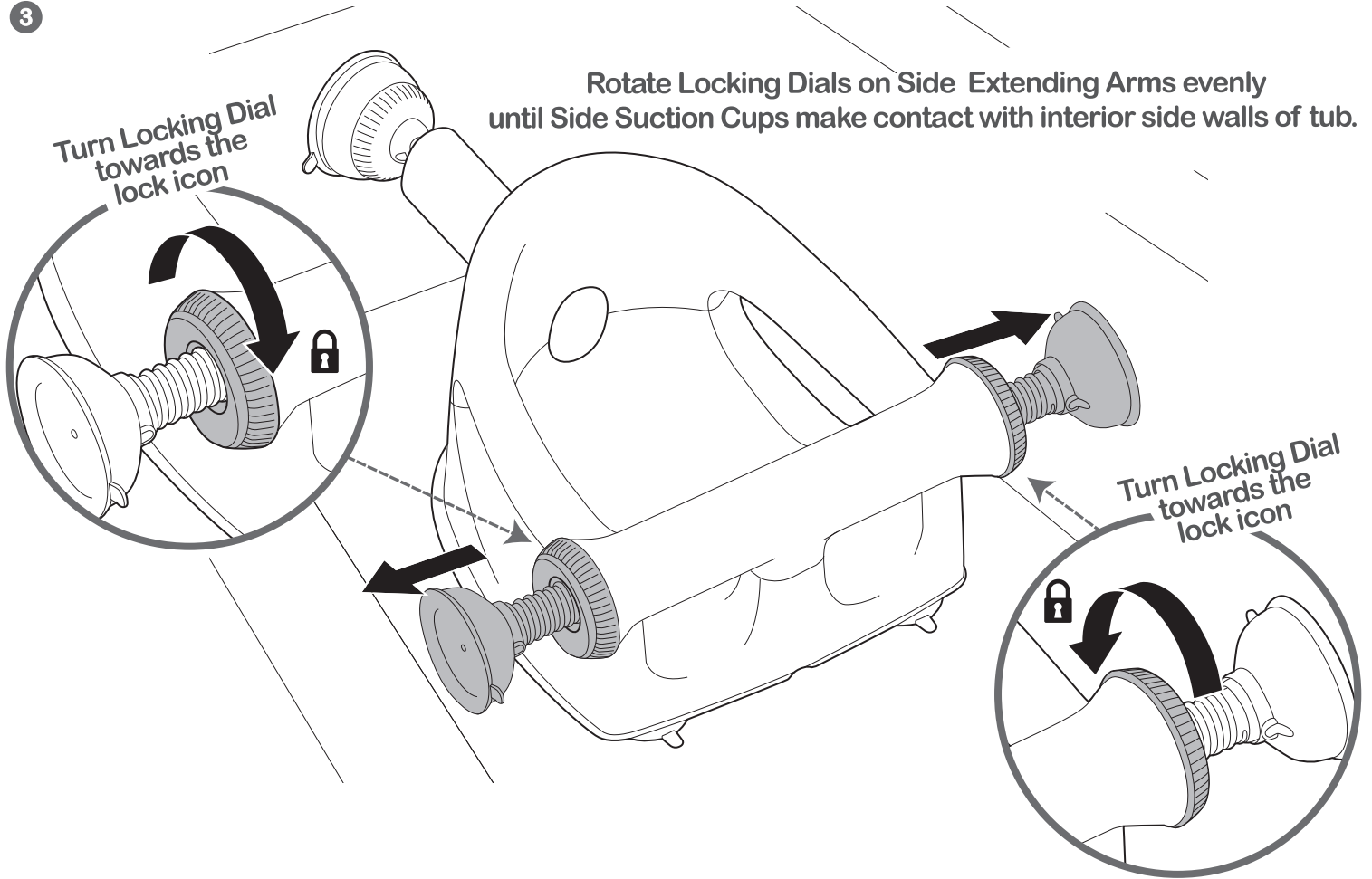
Rear Suction Cup will swivel and rotate to allow for optimal contact, in case rear tub wall is angled.



installing the bath seat (continued):

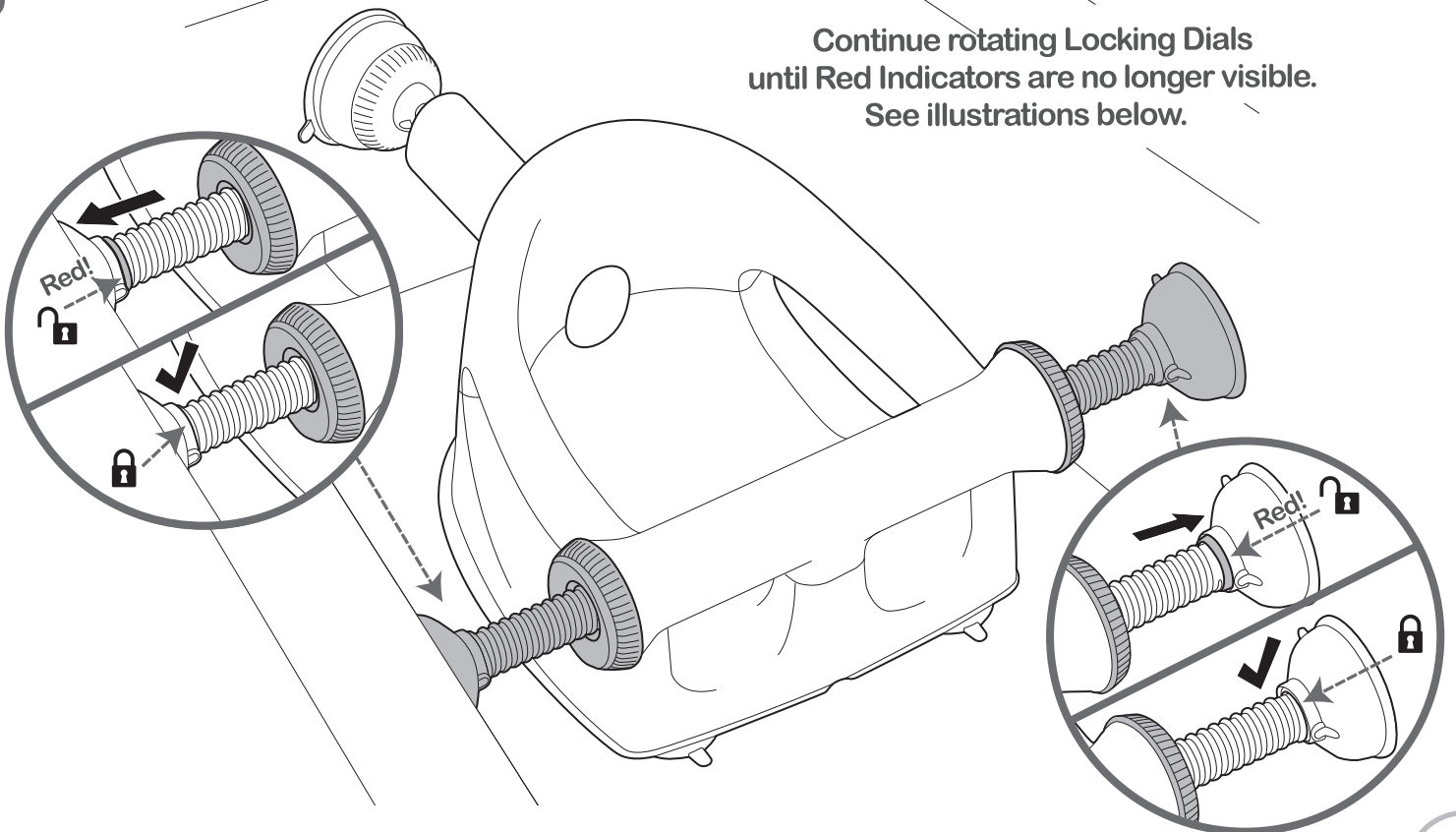
3

Rotate Locking Dials on Side Extending Arms evenly until Side Suction Cups make contact with interior side walls of tub.



4

Continue rotating Locking Dials until Red Indicators are no longer visible. See illustrations below.



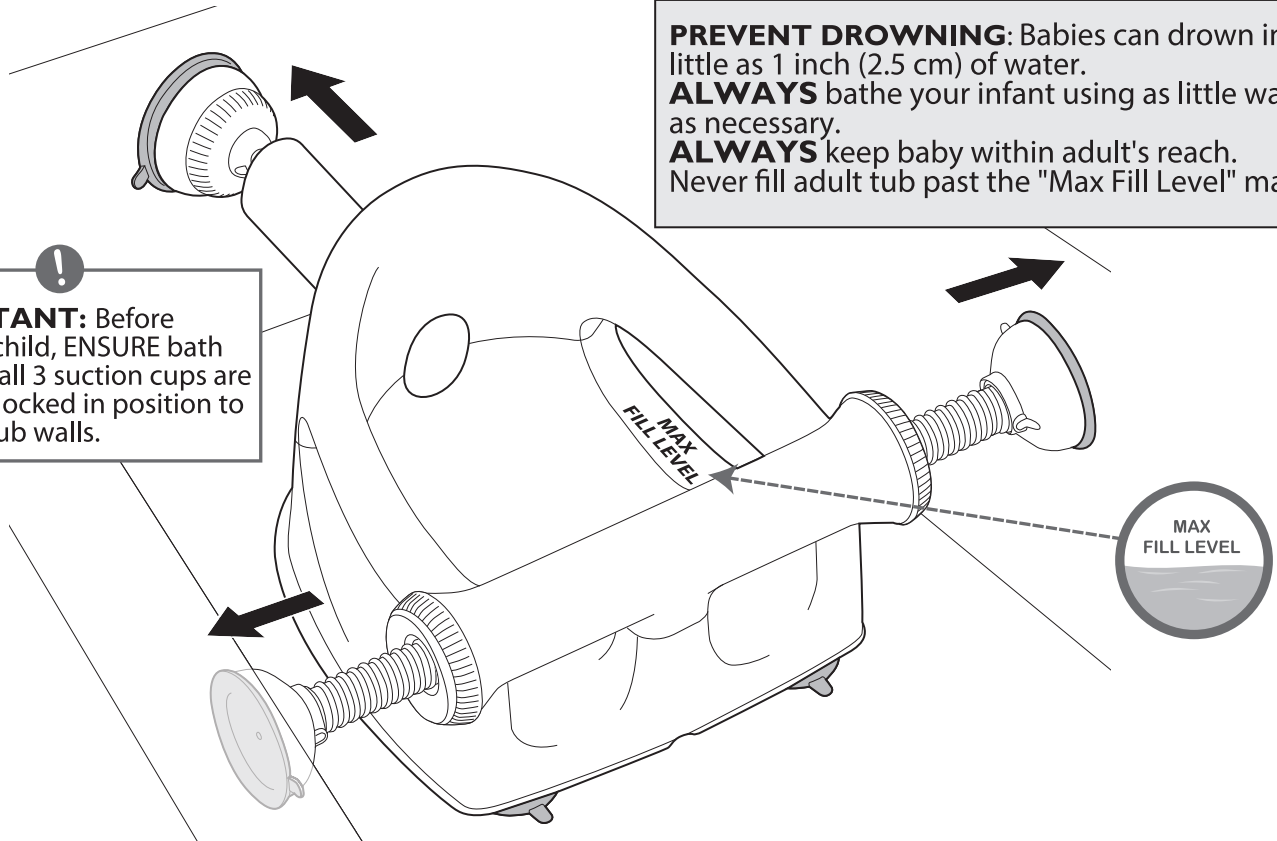
installing the bath seat (continued):

5

WARNING

PREVENT DROWNING: Babies can drown in as little as 1 inch (2.5 cm) of water. **ALWAYS** bathe your infant using as little water as necessary. **ALWAYS** keep baby within adult's reach. Never fill adult tub past the "Max Fill Level" mark.

IMPORTANT: Before bathing child, ENSURE bath seat and all 3 suction cups are securely locked in position to interior tub walls.

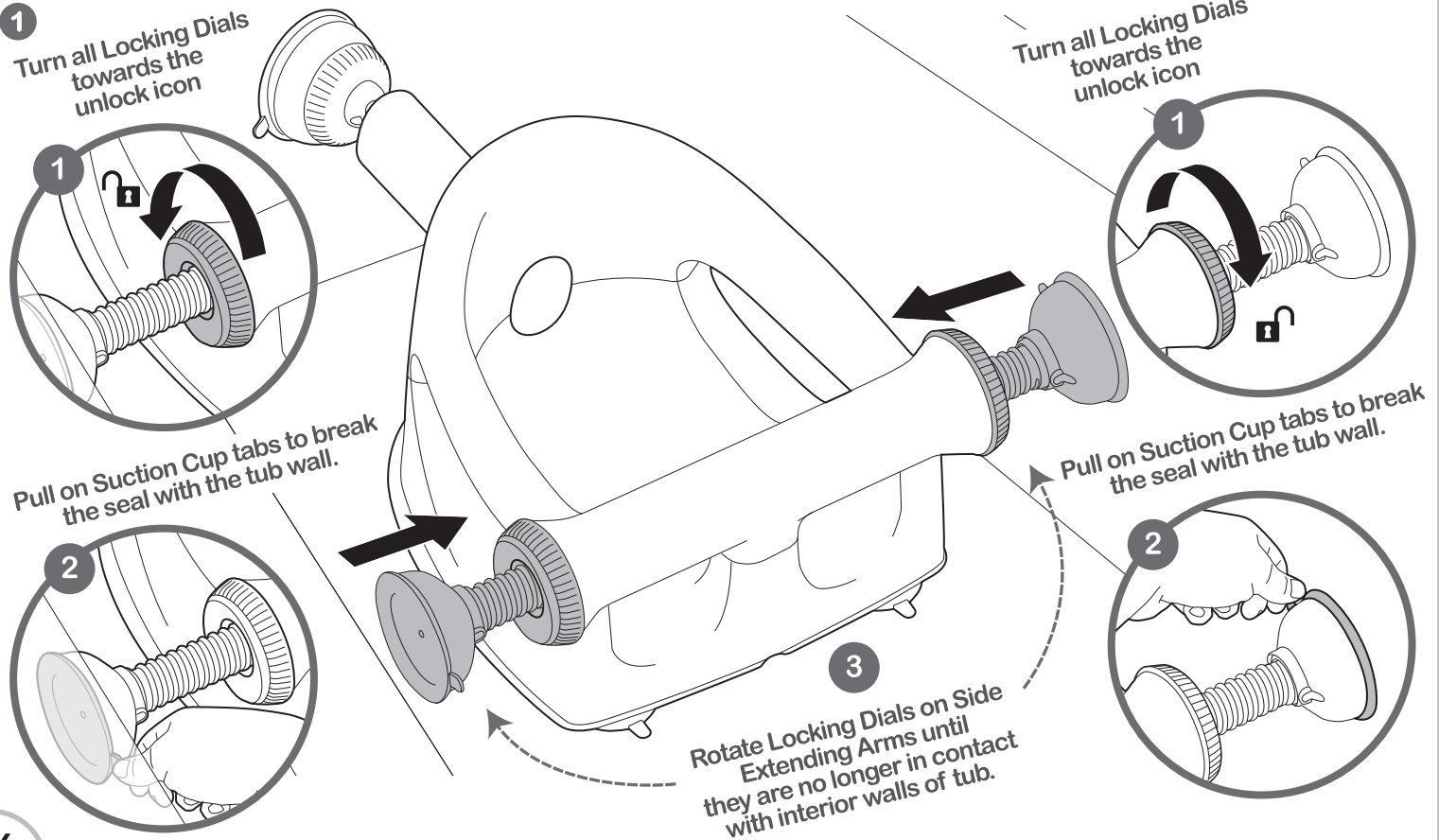


removing the bath seat:

1

Turn all Locking Dials towards the unlock icon

Turn all Locking Dials towards the unlock icon



2 Pull on Suction Cup tabs to break the seal with the tub wall.

2 Pull on Suction Cup tabs to break the seal with the tub wall.

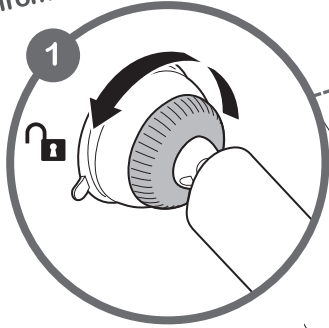
3 Rotate Locking Dials on Side Extending Arms until they are no longer in contact with interior walls of tub.

6

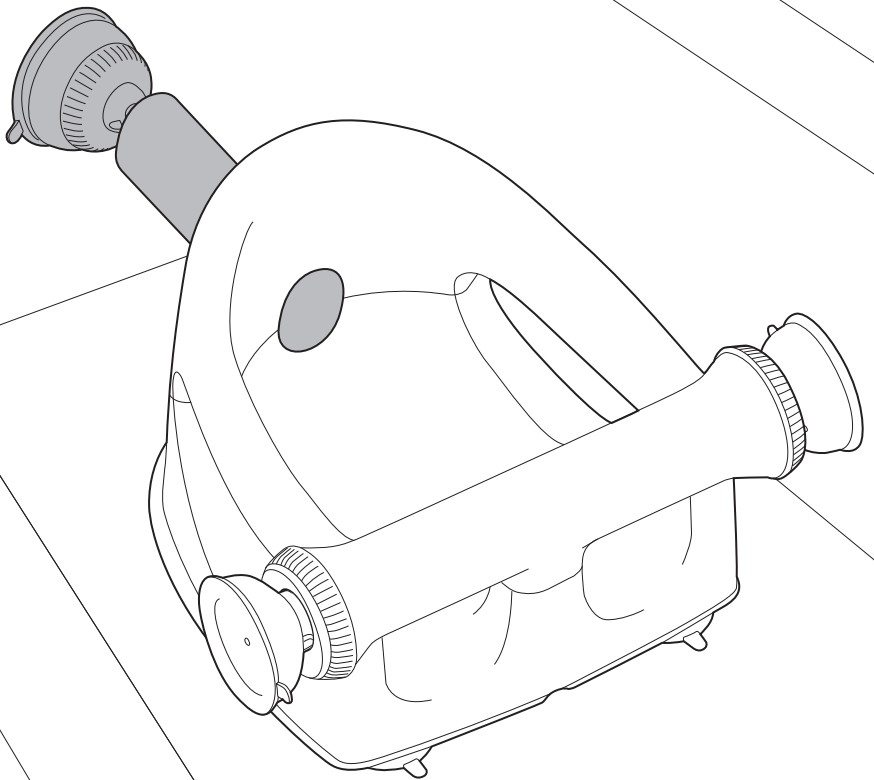
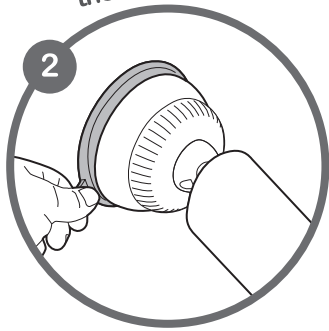
removing the bath seat (continued):

2

Rotate Locking Dial counter clockwise to release Suction Cup from rear tub wall.

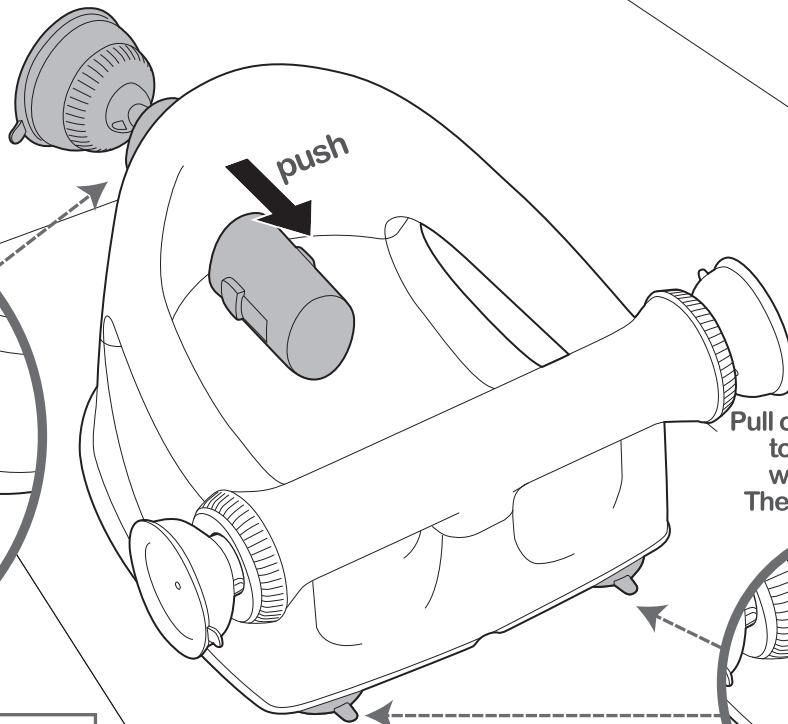
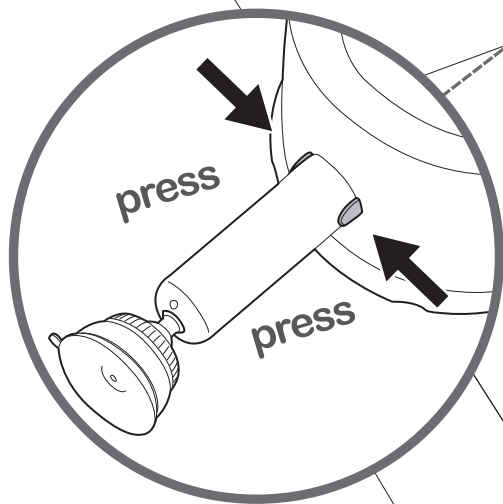


Pull on Suction Cup tabs to break the seal with the tub wall.



3

Press both Locking Tabs on Rear Extending Arm inward and push arm fully back into bath seat.



Pull on suction cup tabs to break the seal with the tub floor. Then lift and remove.



NOTE:
Place Suction Cup Protectors on Suction Cups after each use.

cleaning:

- Surface-clean suction cups, suction cup protectors and bath seat after each use with warm water and mild soap.
- Dry with clean towel.
- Product should be completely dry before any long periods of storage.

storage:

- When stored, make sure suction cups are not creased or folded.
- Apply suction cup protectors before any long periods of storage.

maintenance:

- Before each use, inspect the bath seat for damaged components, missing parts or sharp edges.
- Do not use product if any parts are missing or broken.



Text "Bath Seat" to 38344

to watch a demonstration
on the features, benefits and
installation method for
your new Bath Seat.

We're here to help! If you have questions or need assistance,
please contact our Consumer Relations Team at
1-401-671-6551 or **www.summerinfant.com/contact**

Summer Infant (USA), Inc.

1275 Park East Drive
Woonsocket, RI 02895 USA
1-401-671-6551

© 2019 Summer Infant (USA), Inc.

Colors and styles may vary.
MADE IN CHINA.

3/19