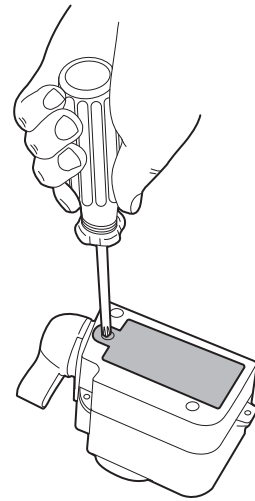
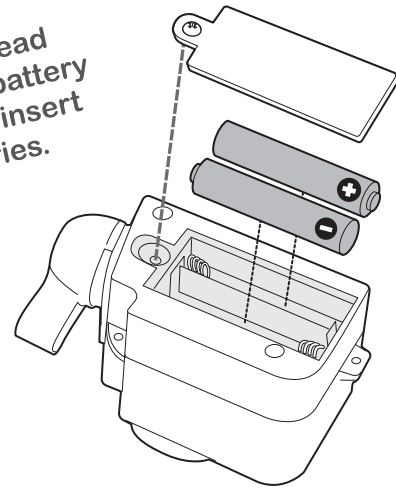


battery replacement:

Using a Phillips head screwdriver, open battery compartment and insert 2 "AAA" batteries.



Close and refasten battery compartment door.

cleaning and maintenance:

- Never use this product if there are any loose or missing fasteners, loose joints, broken parts, or if it's damaged. Check product before assembly and periodically during use. Contact Summer Infant if any of these conditions are observed.
- Wipe surface with a damp cloth or sponge, using mild soap and clean warm water. Towel dry.



summer infant®

Please read the following instructions carefully. Keep this instruction manual for future reference. For technical support, contact us at **1-800-268-6237** or **www.summerinfant.com/contact**.

- Tools required: Phillips head screwdriver.
 2 "AAA" batteries (included).
 Maximum weight: 50 lb (23 kg).
 Keep small parts away from children.
 Adult assembly required.



My Size Potty

INSTRUCTION MANUAL

We **LOVE** our customers!
 Get to know us at:

www.summerinfant.com

We at Summer Infant stand behind all of our products. If you are not completely satisfied or have any questions, please contact our customer service department at 1-800-268-6237 or customerservice@summerinfant.com (For Europe call +44 (0) 144 250 5000 or customerserviceuk@summerinfant.com)

Summer Infant, Inc.
 1275 Park East Drive
 Woonsocket, RI 02895 USA
 1-800-268-6237
 © 2015 Summer Infant, Inc.

Summer Infant Europe, Ltd.
 First Floor, North Wing
 Focus 31, Cleveland Road
 Hemel Hempstead, HP2 7BW UK
 +44 (0) 144 250 5000

Please retain information for future reference.
 Colors and styles may vary.
Sound module made in China.
All other components made in USA.
 9/15

Thank you for purchasing My Size Potty by Summer Infant. Designed to look and feel just like the real thing, My Size Potty is the perfect training aid to ensure your little one has a comfortable and confident transition to a full size toilet.

⚠ WARNING: IMPORTANT! KEEP FOR FUTURE REFERENCE!

⚠ WARNING:

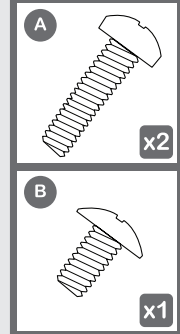
- NEVER leave child unattended.
- Use only on a flat surface.
- DO NOT use on elevated surface.
- NEVER use training seat on full size toilet.
- NEVER lift or carry product with child on it.
- This product is not a toy. DO NOT allow children to play with it.
- Discontinue use of product if damaged, broken, or disassembled.

⚠ BATTERY WARNING:

- Do not mix old and new batteries.
- Do not mix alkaline, standard, or rechargeable batteries.
- Remove batteries when product is stored for long periods of time or when batteries are exhausted.
- Dispose of exhausted batteries according to instructions.
- Do not recharge non-rechargeable batteries.
- Batteries are to be inserted with correct polarity.
- CAUTION: Risk of explosion if battery is replaced by an incorrect type.
- Keep all batteries away from children.

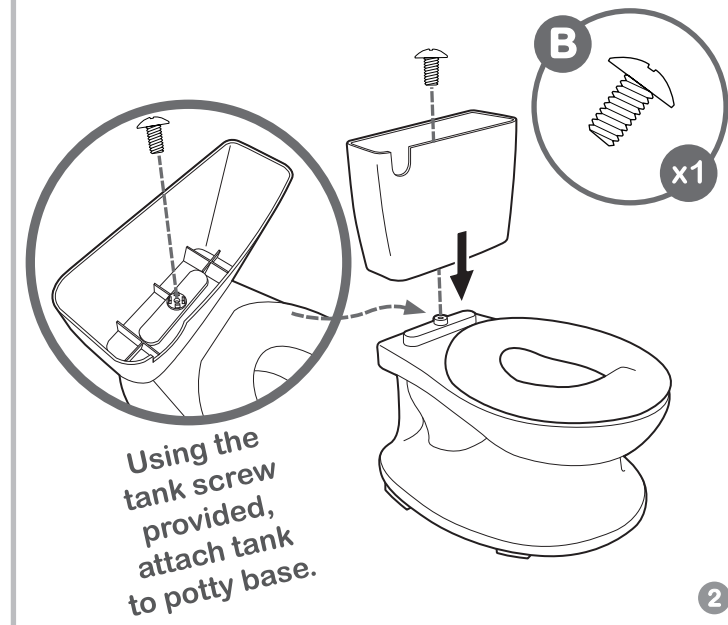
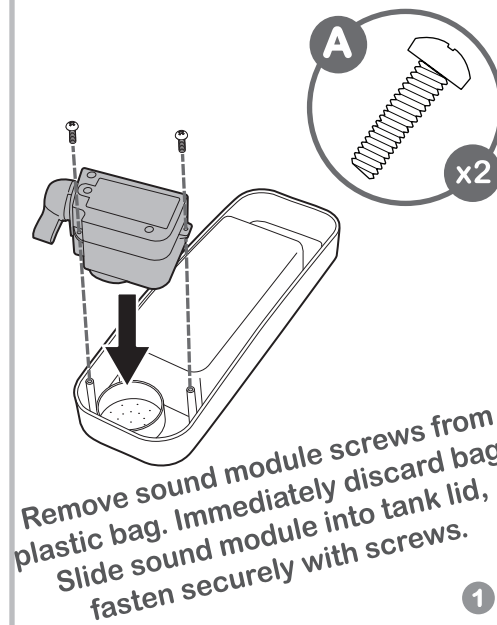
components:

hardware:



- A sound module screws (2)
- B tank screw (1)
- C potty base
- D nonslip treads
- E potty seat
- F tank
- G sound module
- H tank lid
- I pot
- J splash guard

assembly:



to use:

